



CONTAINER FITTING

Thinkwell

Qingdao Thinkwell Hardware & Machinery Co., Ltd.



COMPANY

Thinkwell

Thinkwell Hardware & Machinery CO.,Ltd is professional manufacturing facility providing Rigging Hardware ,Electric Line Pole power fittings, Trailer Hitches & Pulleys, Ornamental Wrought Iron, Container Fittings, Marine Hardware, Misc hardware and CNC parts .Our TK Brand is widely used in metallurgical machinery, electric power plants, coal operation , port operations, petrochemical industry, engineering, bridges, hydraulic engineering, shipping, cable-ways, overhead & fixed cranes along with portable mobile cranes etc.

Our International Sale Representatives work hand and hand with our inside sale representatives providing customer satisfaction through on-time manufacturing & delivery schedules, proficient documentation for hassle free service and handle questions with solutions for technical issues.

Thinkwell is a fully rounded service manufacture.

The factory covers an area of 10,000 square meters and employs over 250 full-time staff. An Engineering department, Design department, Technical department with 15 Technicians and a QC/QA department overseeing all operations. Two forging workshops and a mold workshop.

Our basic equipment includes: 1000T/630T/400T/300T/160T forging machines, air hammers, heating furnace, rolling machines, tapping machines, blasting machines and so on. Our factory has joint venture relationships with the heat treatment factory ,milling factory and galvanizing plant. Through our QC program end users can enjoy safe, reliable and the highest quality TK Brand products they expect.

Thinkwell' s reputation is recognized through worldwide buyers for over 16+ years.

Production

Equipments



Stamping Machine



CNC



Shot Blasting Machine



Forging Press



Cutting Machine



Hardness Machine



Forging Press



Tensile Testing Machine



Drilling Machine

> Catalogue

Container Fitting Equipment

Loose Fitting

>Intermediate twistlock	1
>Dovetail twistlock	1
>One wire SAT	2
>Fully symmetrical SAT	3
>MID-LOCK and Bottom Twistlock	3
>Flatracks and storage bins	4
>Operation rods	5
>Emergency tool	5
>Turnbuckle	6
>Lashing bar	8
>Bridge fitting	9
>Hanging stacker	10
>Pressure element	11
>Compensating height support	11
>Cone	12
>Sliding cone	12
>Stacking cone	13

> Catalogue

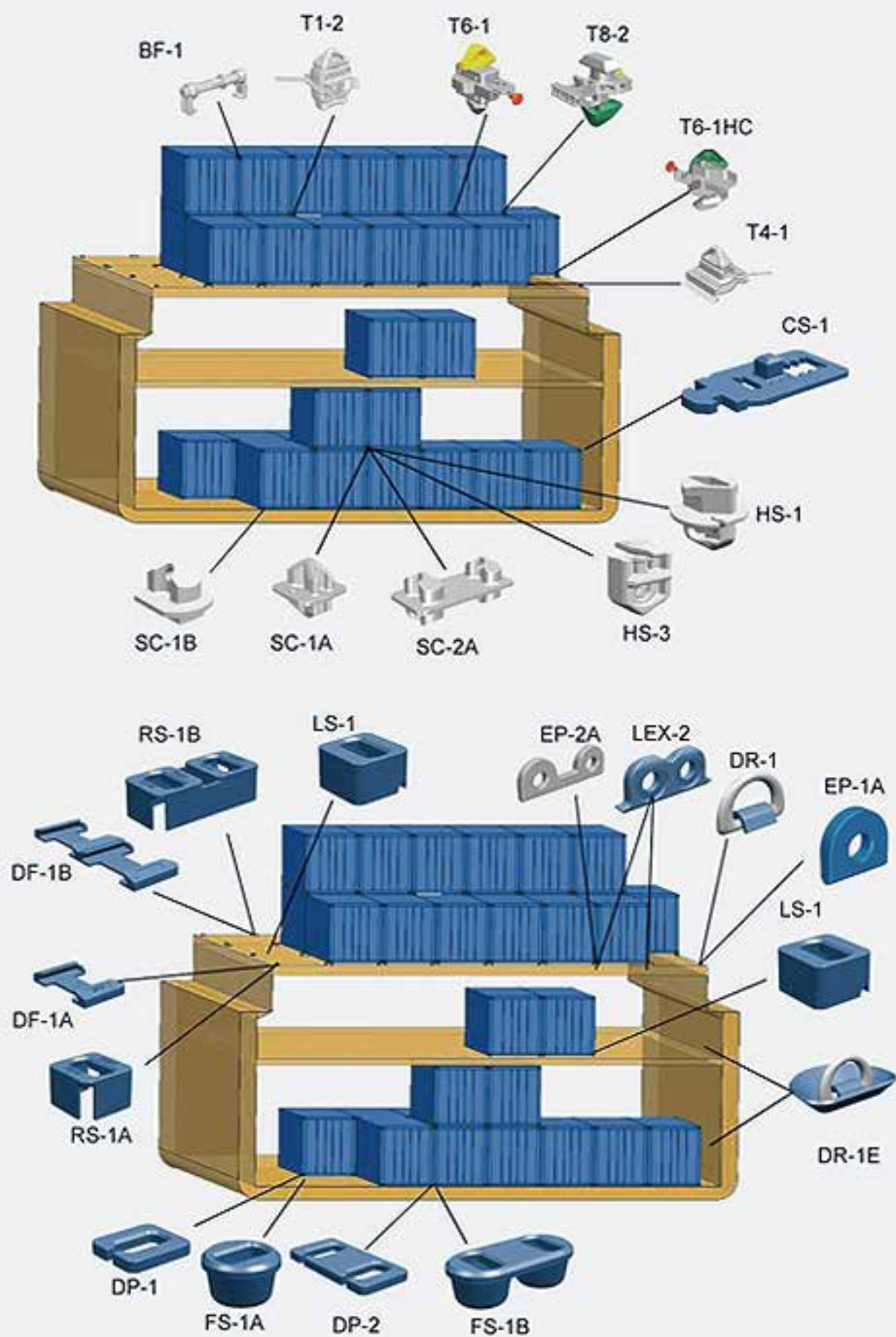
Fixed Fitting

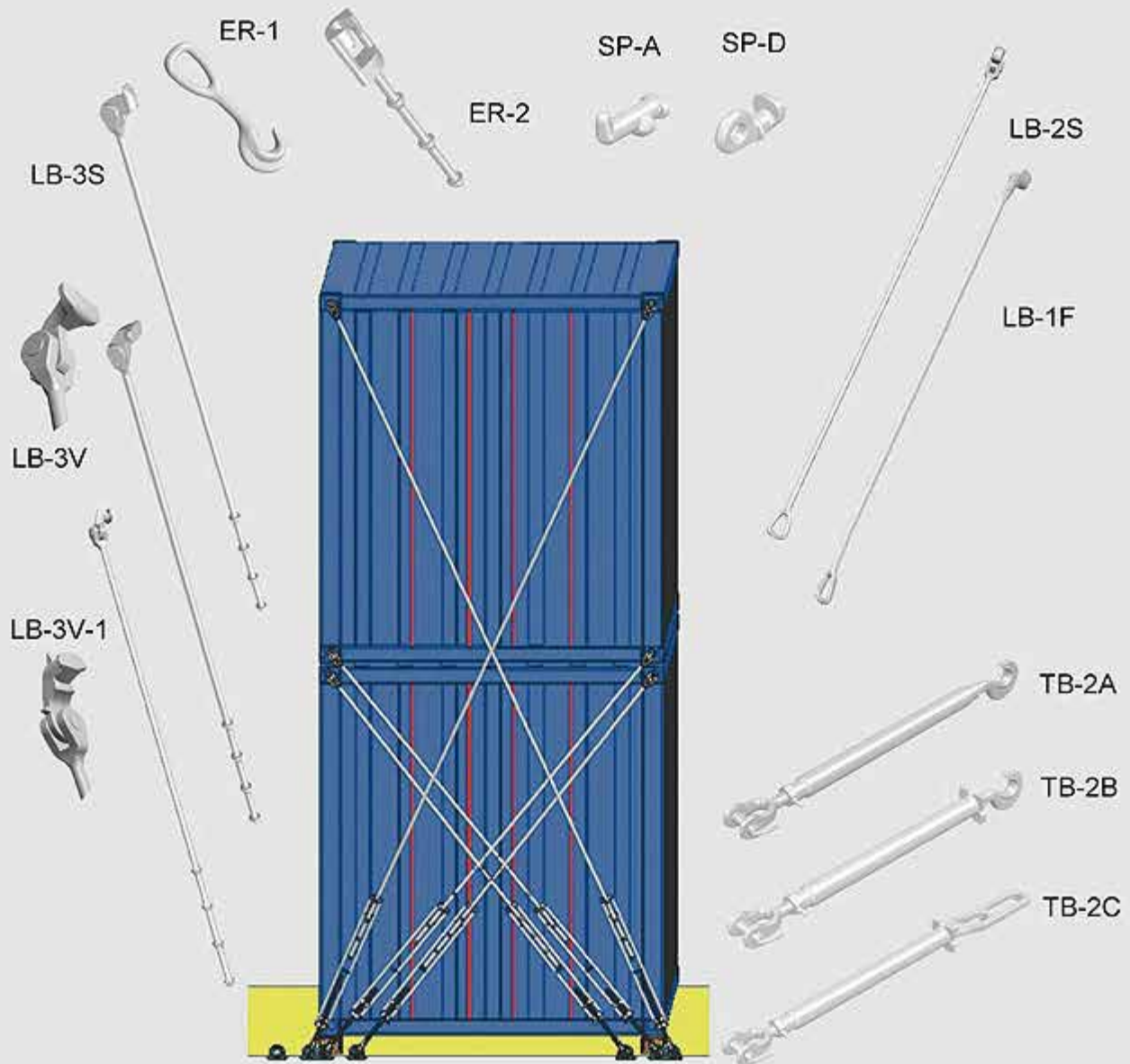
> Twistlock foundation	14
> Silding foundation	16
> Lifting foundation	17
> Support foundation	18
> Dovetail foundation	19
> Bottom Plate	20
> Lashing eye plate	21
> D-Rings	22
> Guide fitting	23
> Foundation socket	23

RORO-equipment

> Lashing pot	24
> Crinkle bar	25
> D-Rings	25
> Chain Turnbuckle	26
> Securing pads	27
> Shackle/Hook	27
> Link Chain	28
> Tension Lever	28
> Trailer trestle	29
> Trailer support	29
> Wheel chock	29
> Container Spreader weblashings carlashings	30
> Container corner casting	30

Illustration for container securing equipment





TB-1A



TB-1B



TB-1C



TB-2B



TB-2C



TB-3



LB-2S



LB-3S



LB-3V



TB-E-65/TB-E-55



LB-2F-2



ER-1

Loose fittings



Twistlock



T1-2



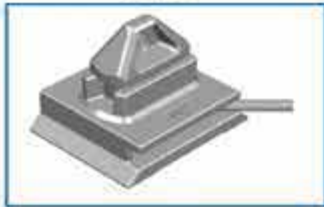
T2-1



T3-1



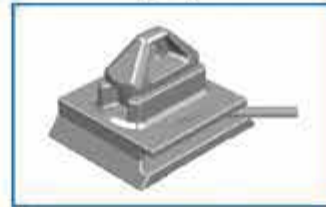
T4-1



T4-2



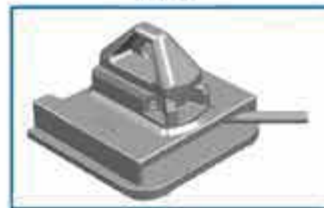
T5-1



T5-2



T5-3



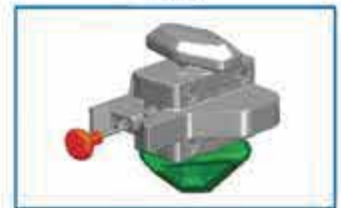
T5-L



T9-1



T6-1



T6-1HC



T8-2



T3-2(trains lock)



HS-1



HS-1A

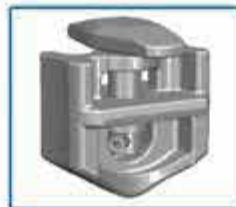
桥码 Bridge fitting



HS-2A



HS-2



HS-3

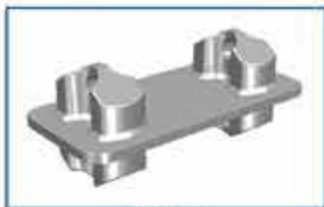


BF-1



BF-2

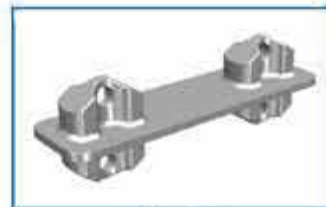
Stacking cones



SC-2A



SC-2B



SC-2C



SC-2D



SC-1A



SC-1B



GC-1

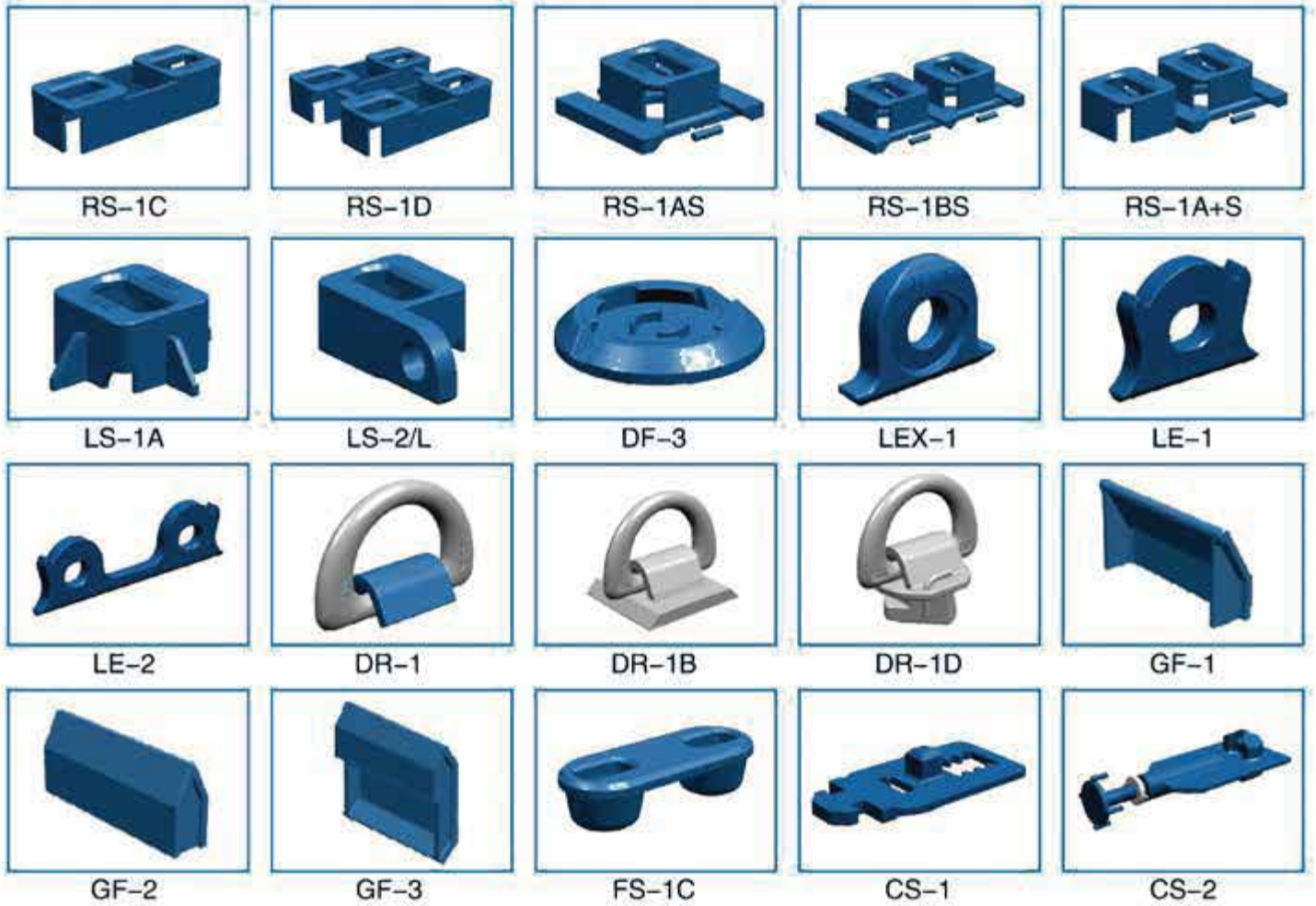


GC-2



GC-3

Fixed fittings



RoRo-equipment





Tool accessories

container corner casting/TR,RL,BR,BL

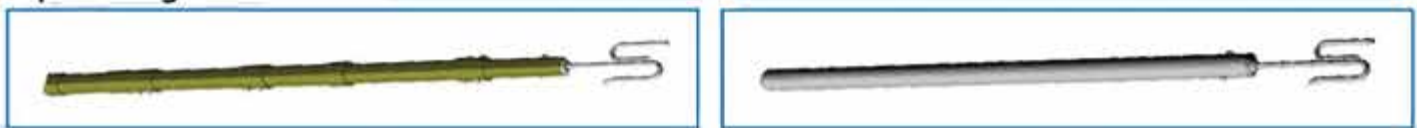
Operating wrench/bar



Operating rods

SP-1

L-1



AP-1

Emergency

AP-2



AP-3

ET-1

Flatracks and storage bins



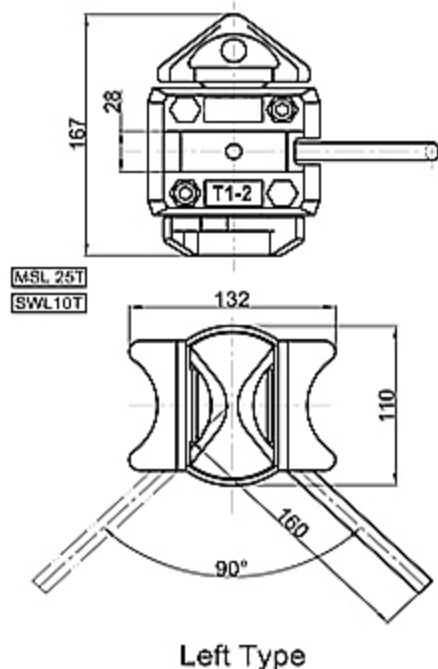
SB-1

FL-20'

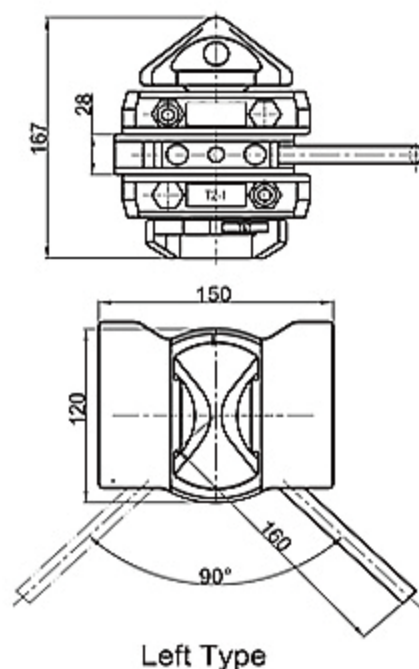
FL-40'

Intermediate twistlock

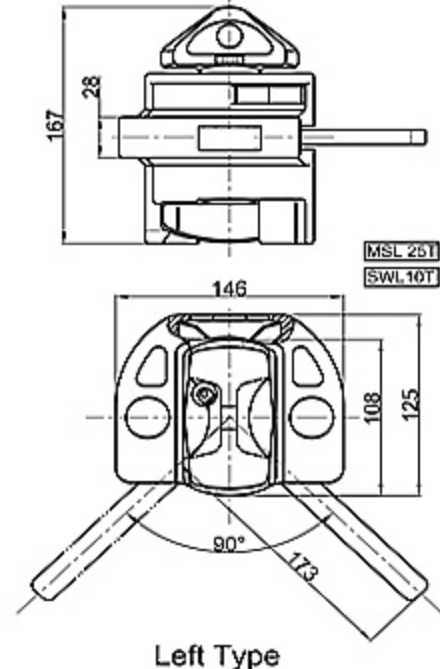
T1 L/R



T2 L/R

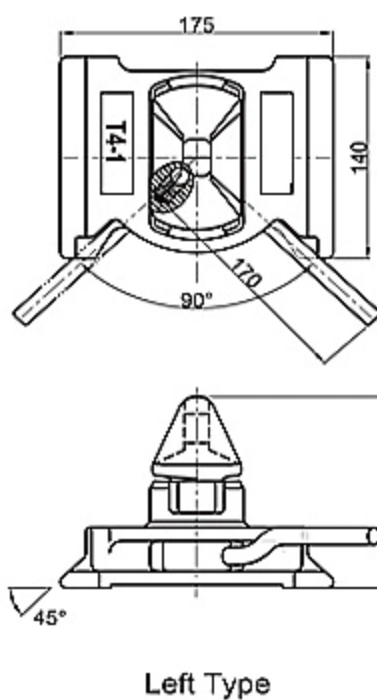


T3 L/R

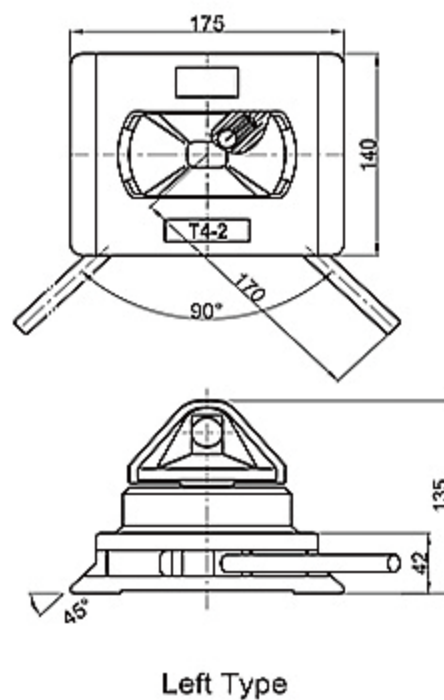


Dovetail twistlock

T4-1 L/R

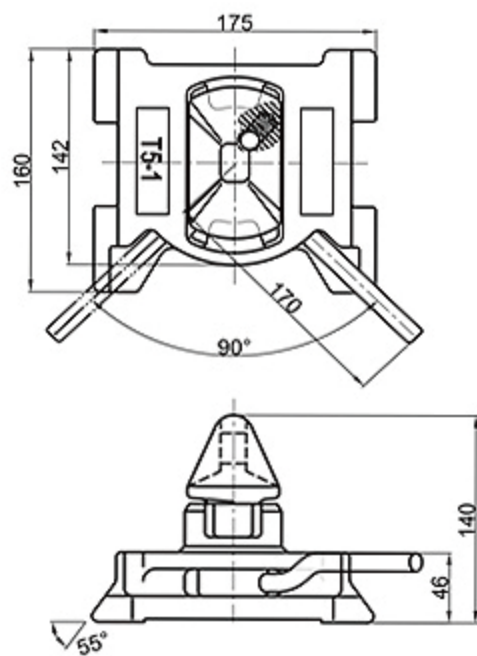


T4-2 L/R



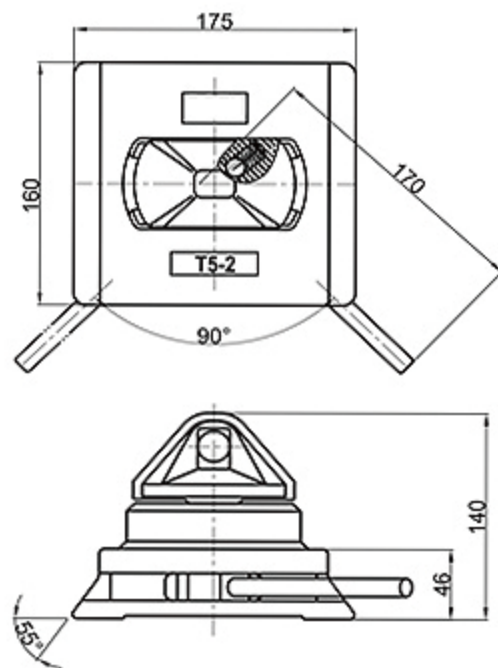
Dovetail twistlock

T5-1 L/R



Left Type

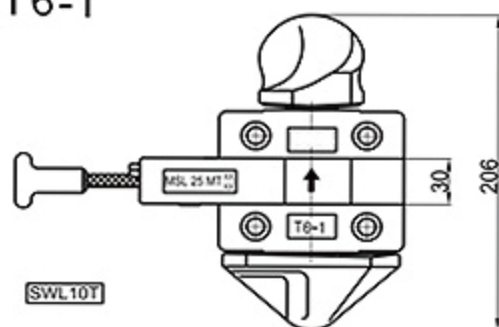
T5-2 L/R



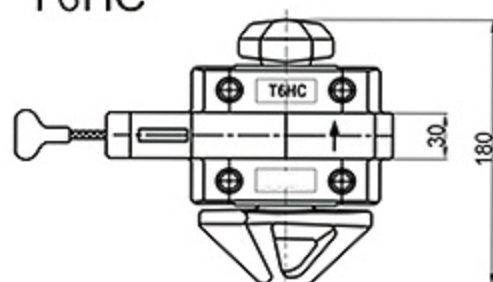
Left Type

One wire SAT

T6-1

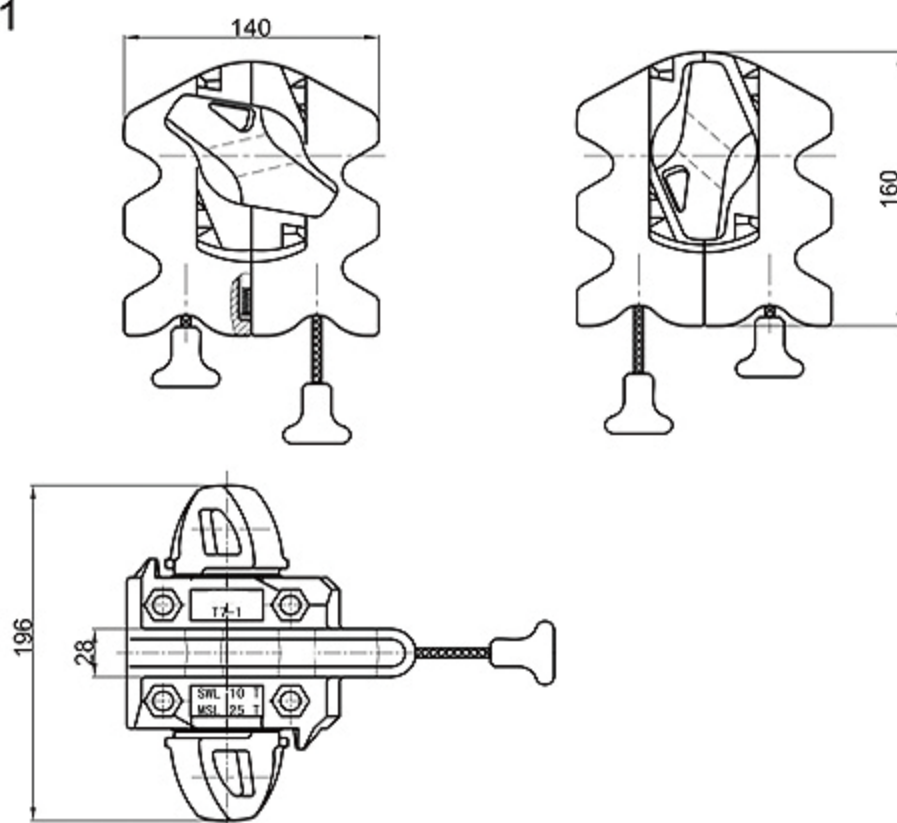


T6HC



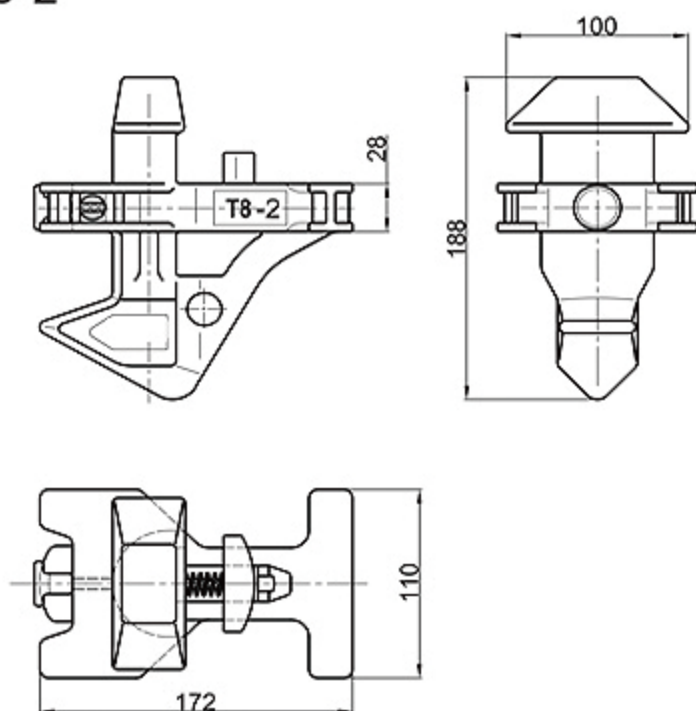
Fully symmetrical SAT

T7-1

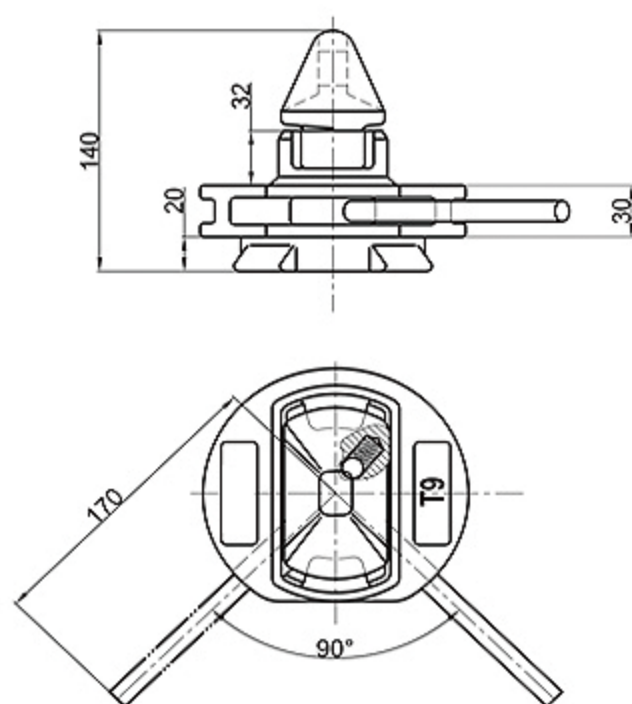


MID-LOCK and Bottom twistlock

T8-2



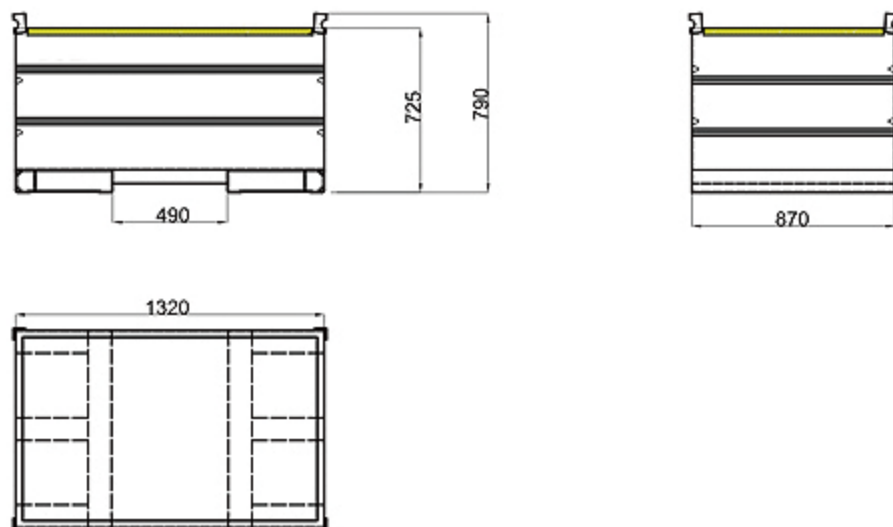
T9 L/R



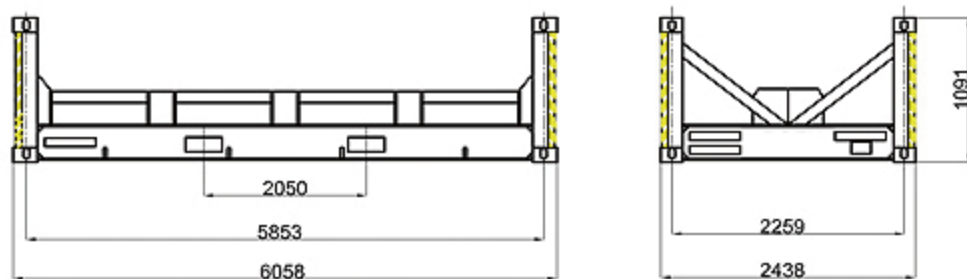
Left Type

Flatracks and storage bins

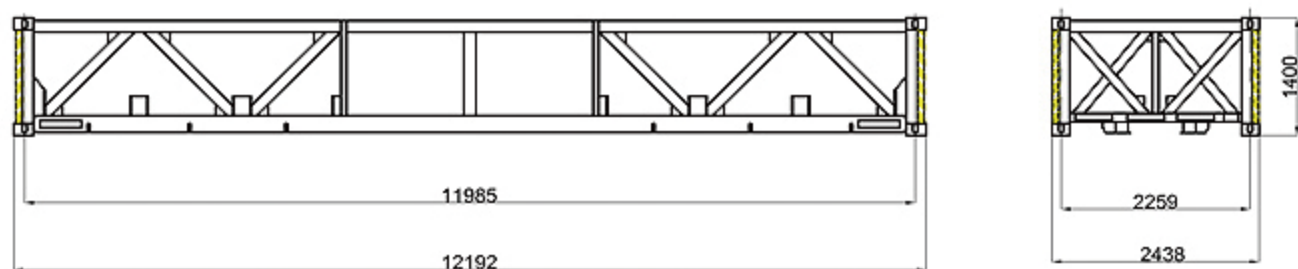
SB-1



FL-20'

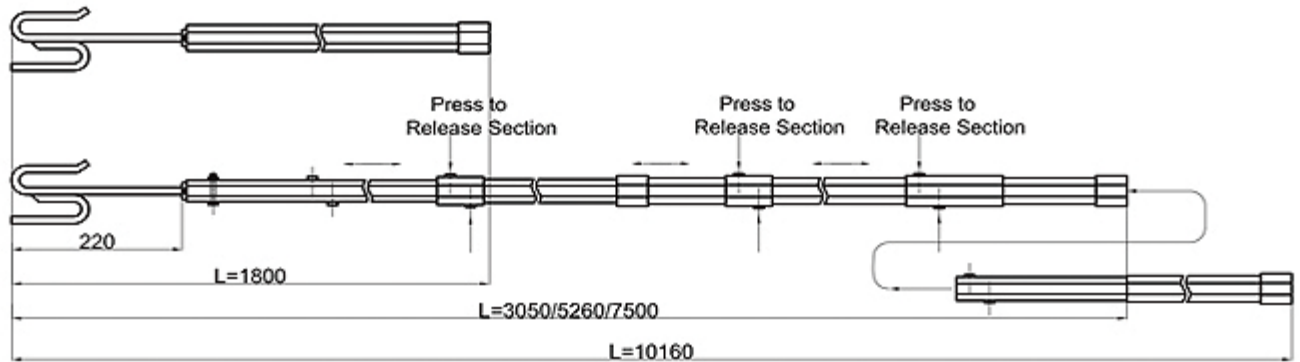


FL-40'

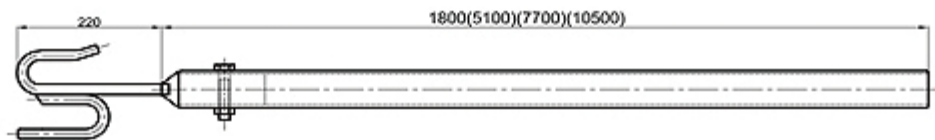


Operating rods

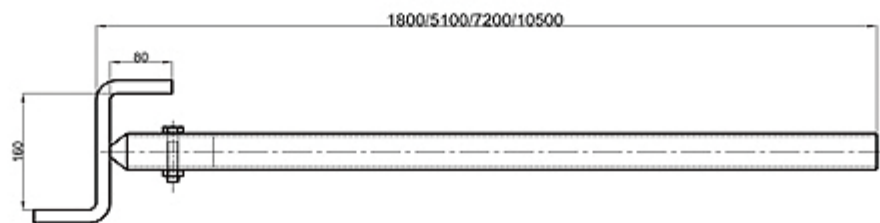
AP-1



AP-2

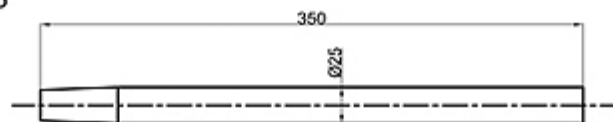


AP-3

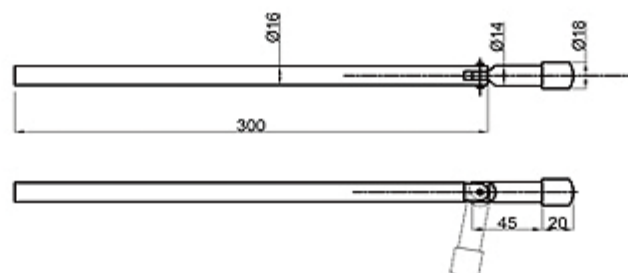


Emergency Tool

ET-1 (Wood or steel) for T6

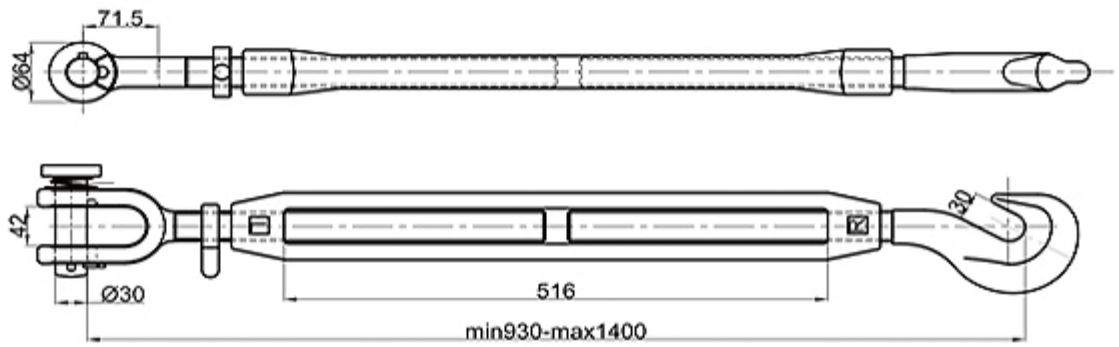


ET-2 (Steel) for T7

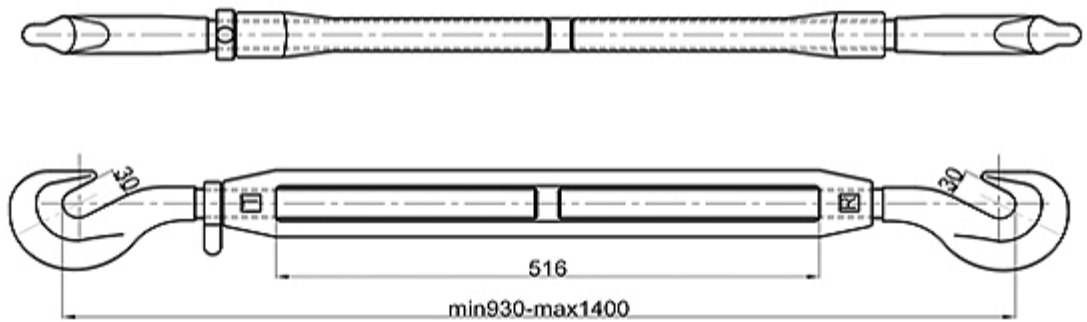


Turnbuckle

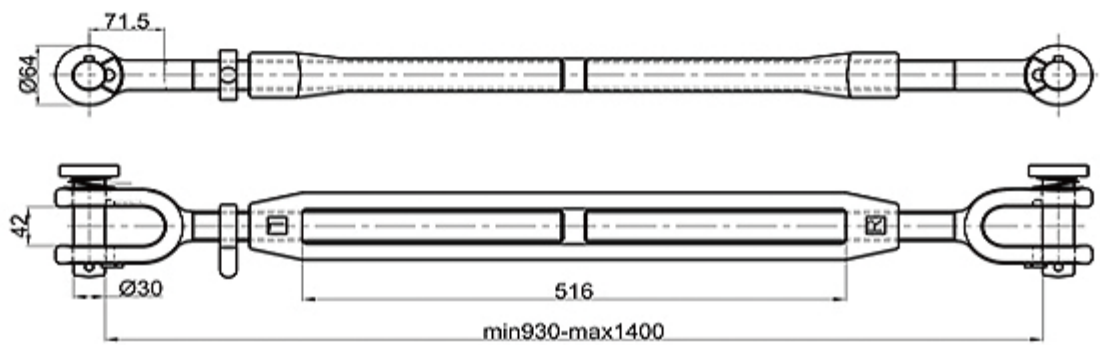
TB-1A



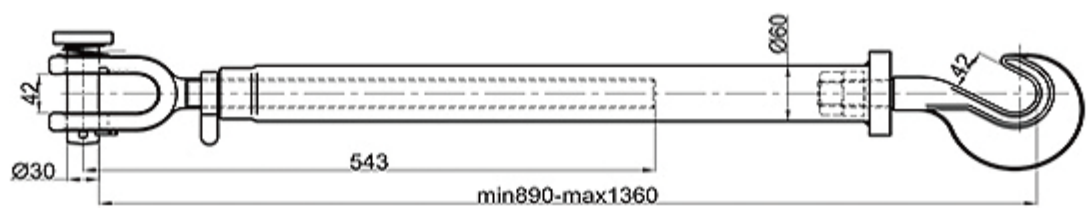
TB-1B



TB-1C

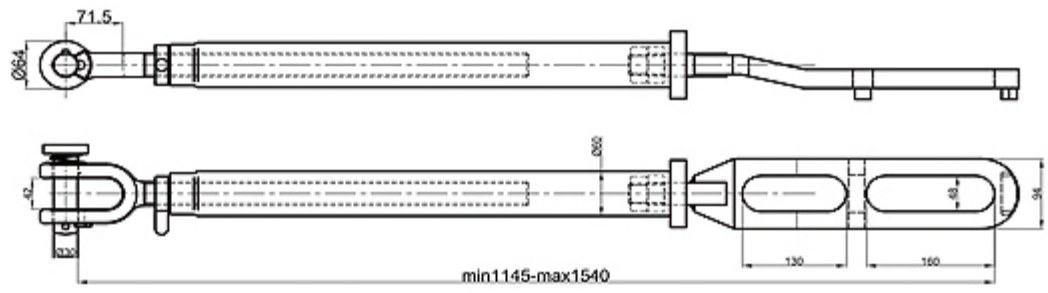


TB-2B

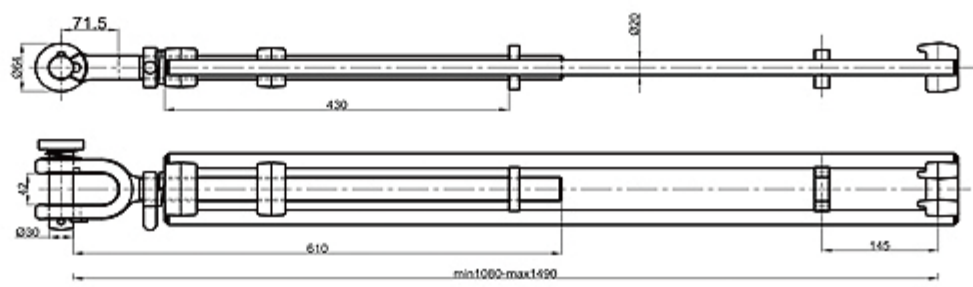


Turnbuckle

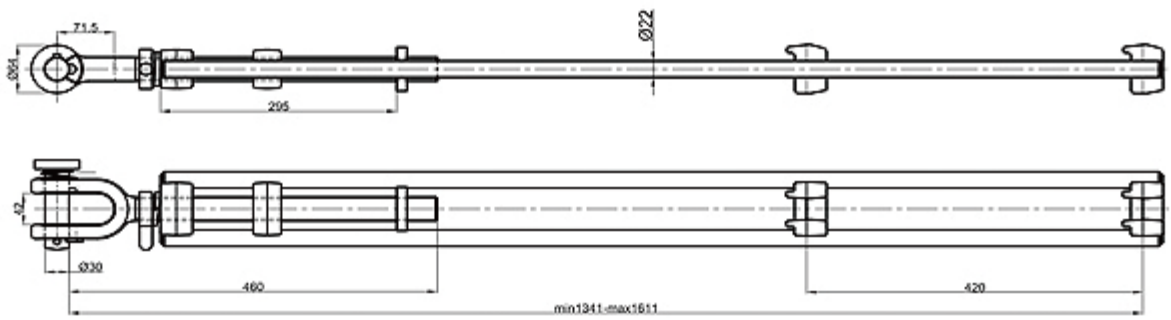
TB-2C



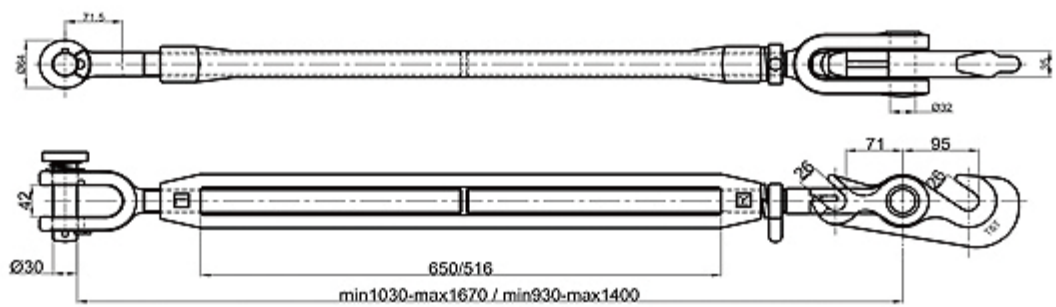
TB-3



TB-3-2

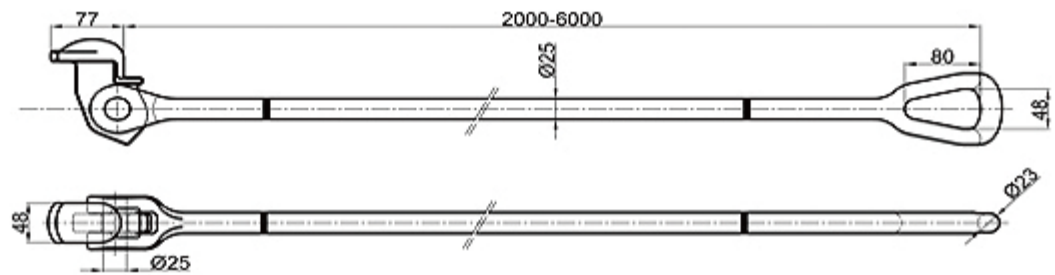


TB-E/65

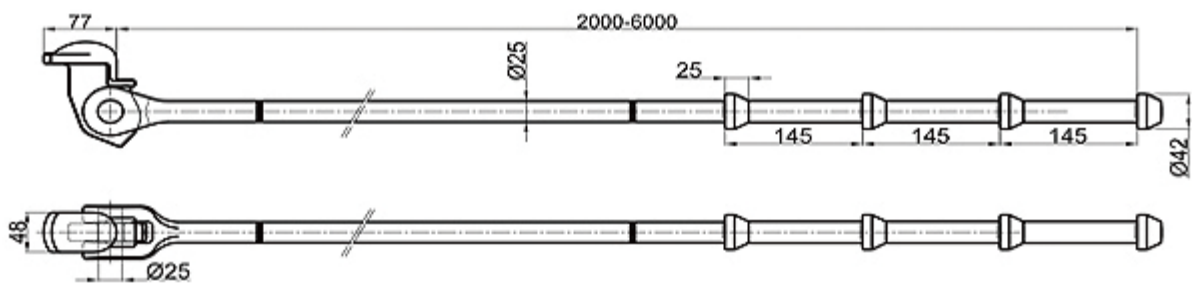


Lashing Bar

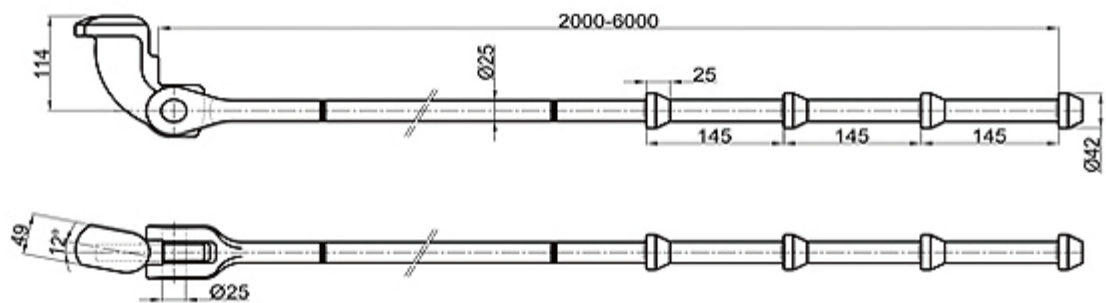
LB-2S



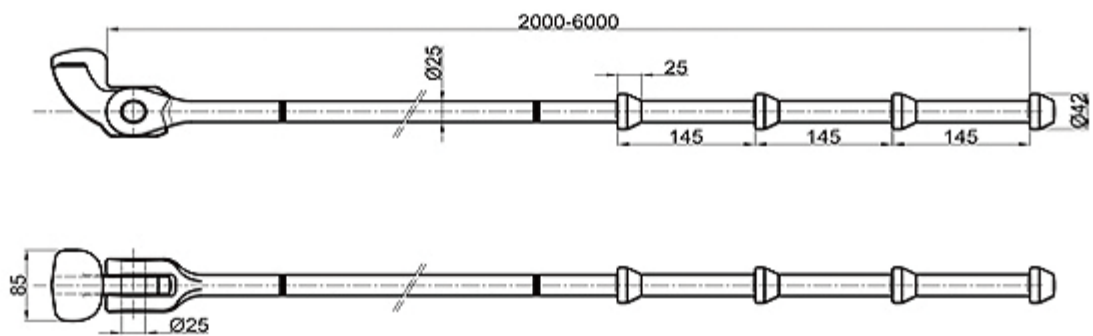
LB-3S



LB-3E



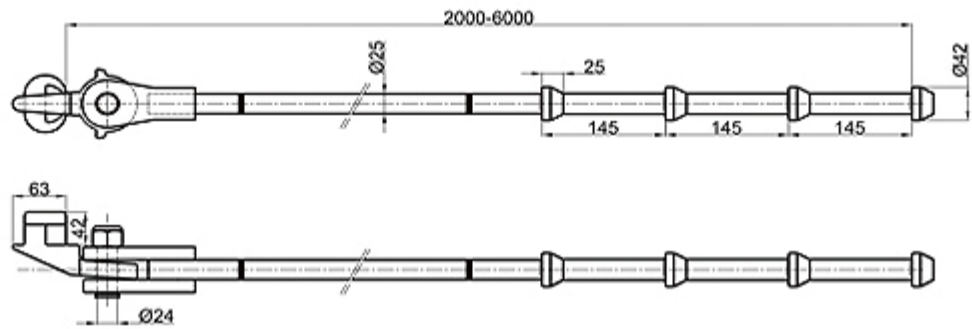
LB-3V



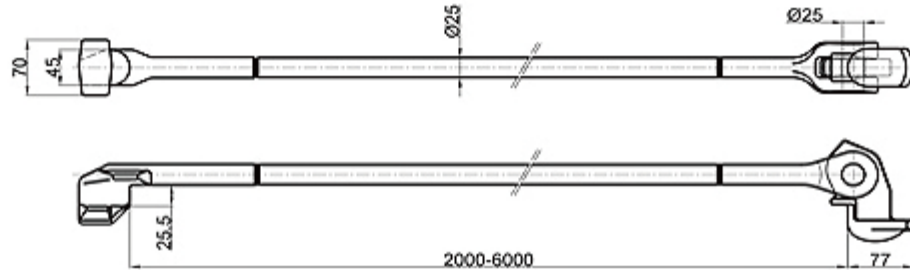
We can provide 50T or 36T of the lashing bar, above drawings for the 50T

Lashing Bar

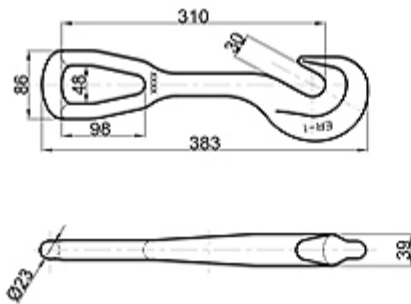
LB-3V-1



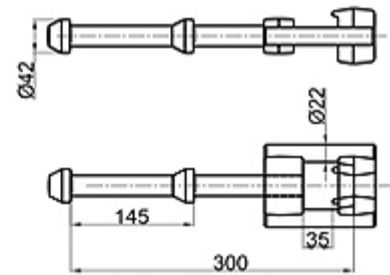
LB-2F



ER-1



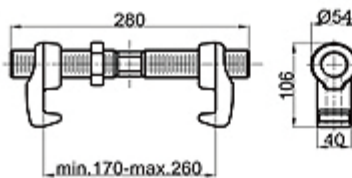
ER-2



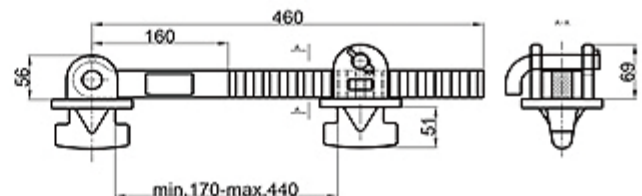
We can provide 50T or 36T of the lashing bar, above drawings for the 50T

Bridge Fitting

BF-1

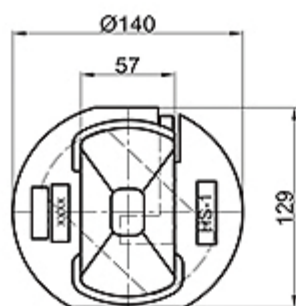


BF-2

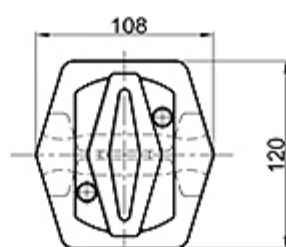
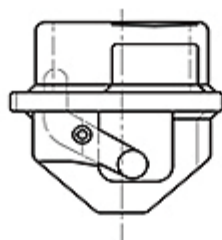
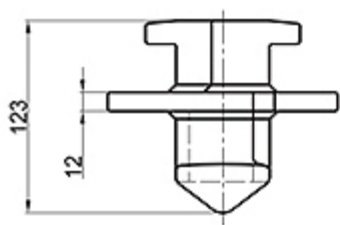
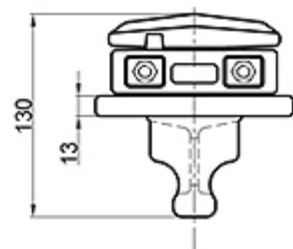
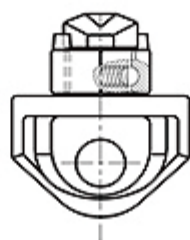


Hanging Stacker

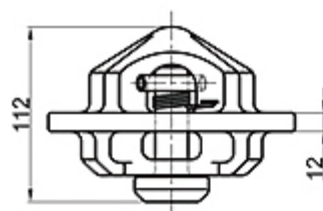
HS-1



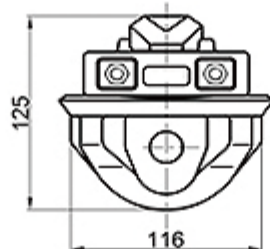
HS-1A



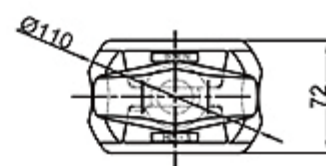
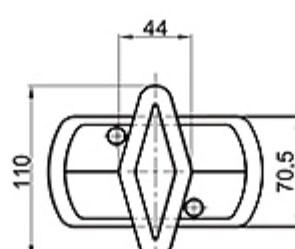
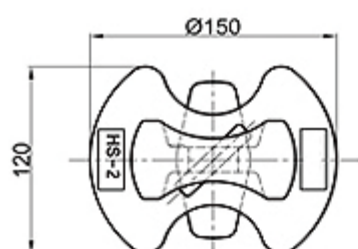
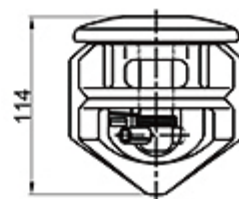
HS-2



HS-2A



HS-3

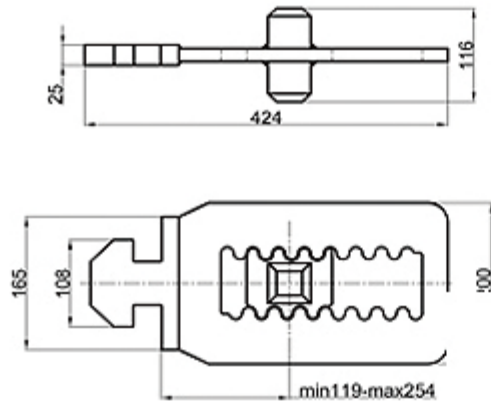


FLANGE: HS-1,HS-1A,HS-2

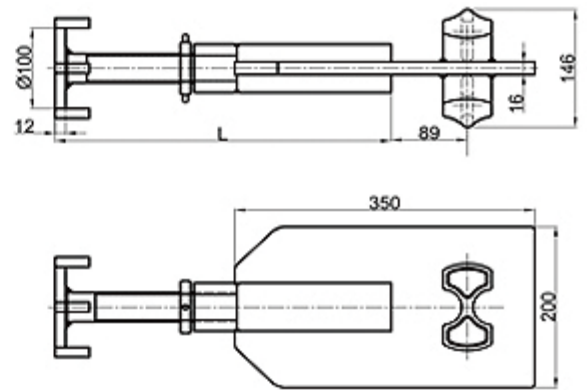
FLANGELESS: HS-2A,HS-3

Pressure Element

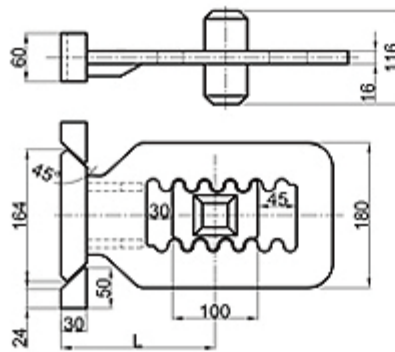
CS-1



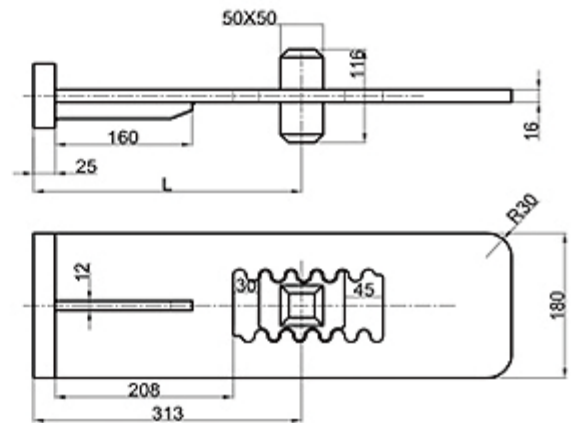
CS-2



CS-1A

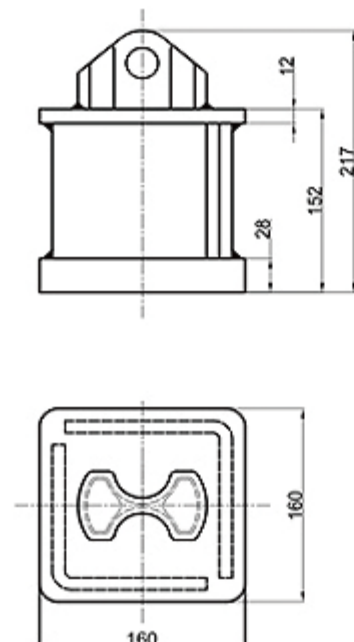


CS-1B

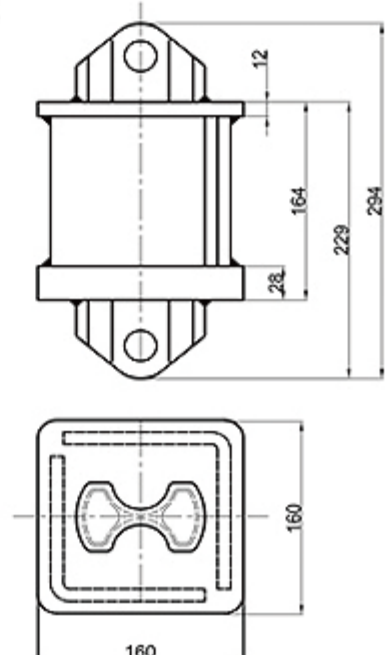


Compensating Height Support

CS-3

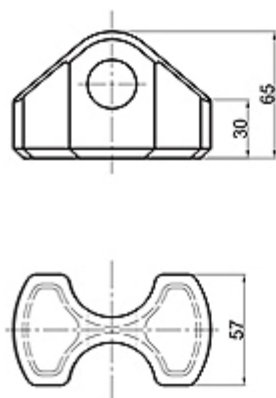


CS-4

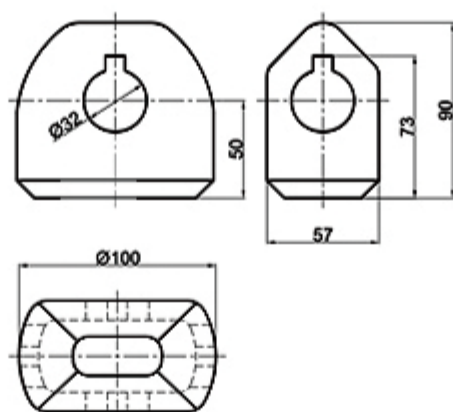


Cone

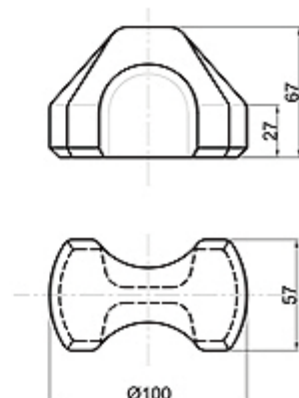
GC-1



GC-2

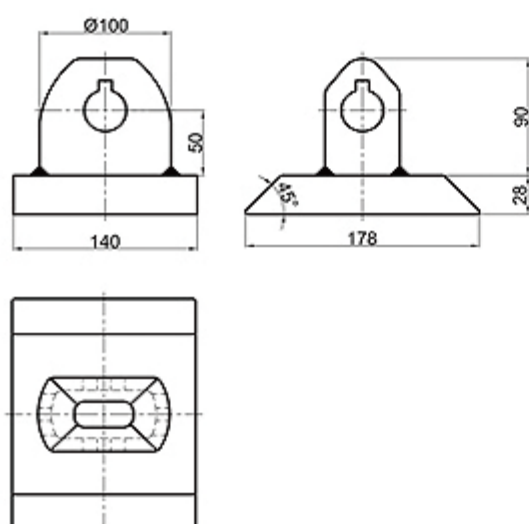


GC-3

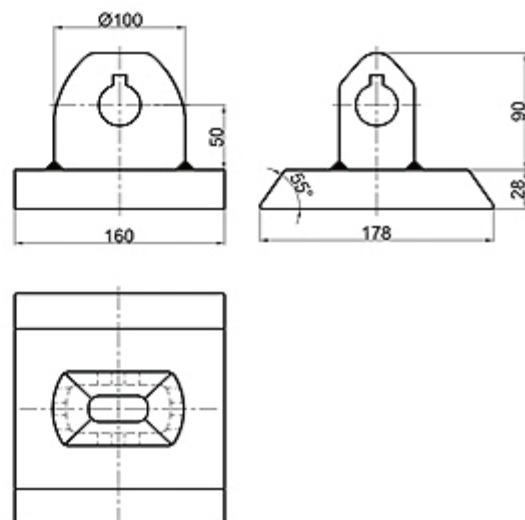


Sliding Cone

GC-2A(45°)



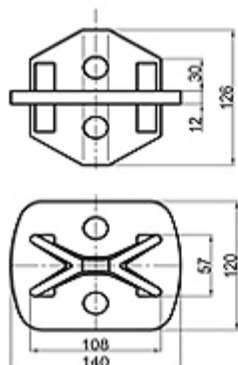
GC-2A(55°)



Stacking Cone

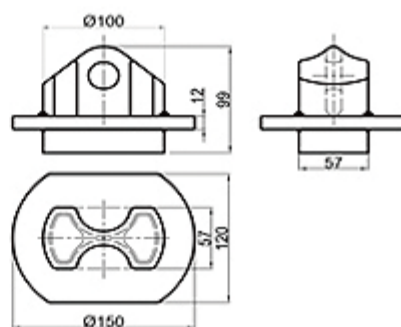
Intermediate Stacking Cone

SC-1A

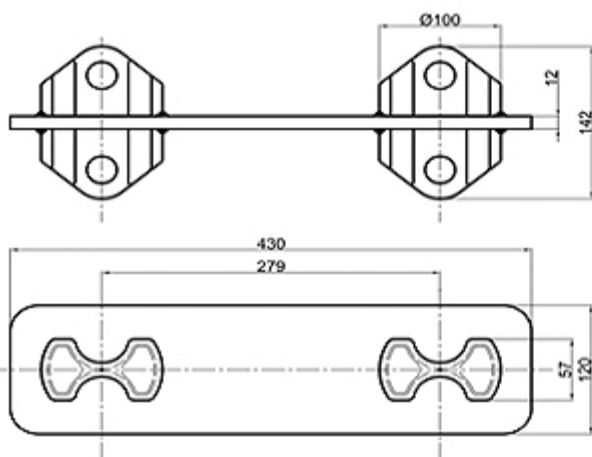


Base Stacking Cone

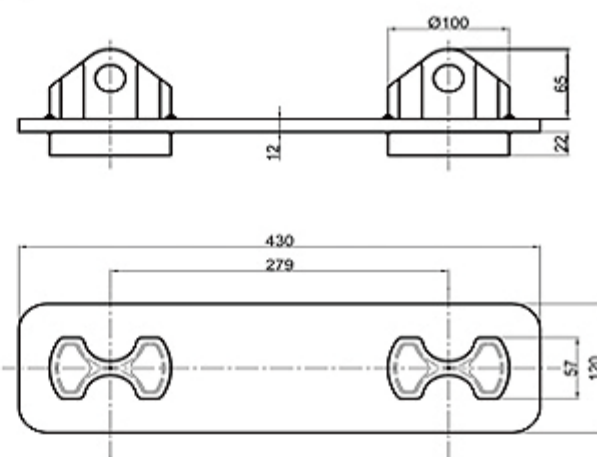
SC-1B



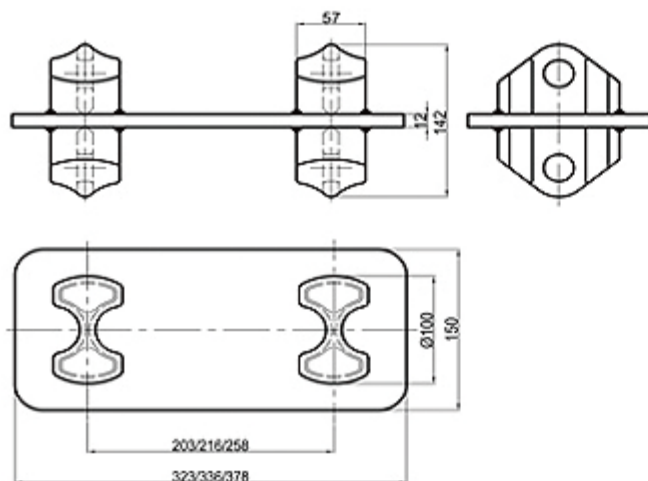
SC-2C



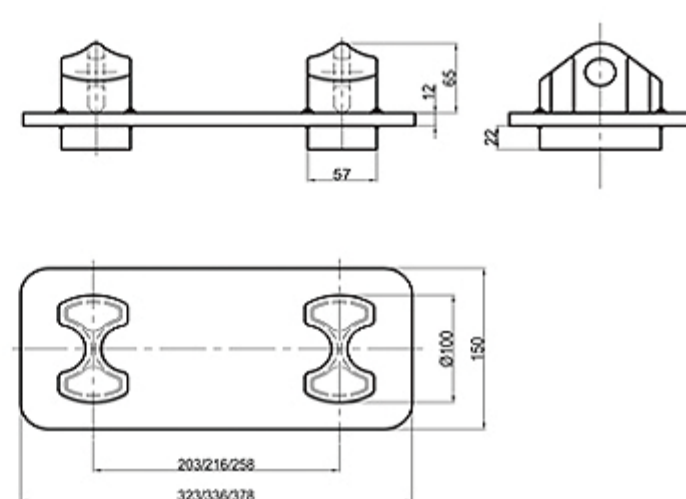
SC-2D



SC-2A



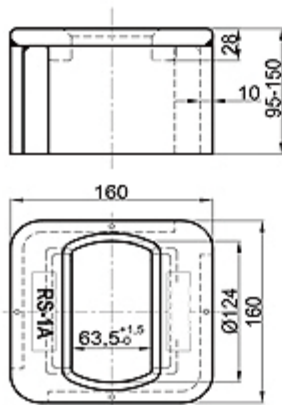
SC-2B



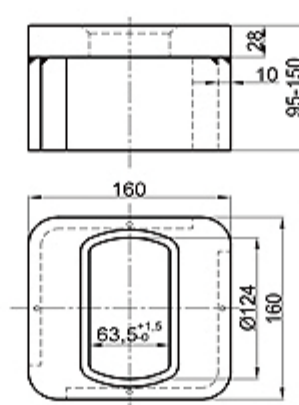
Fixed Fitting

Twistlock Foundation

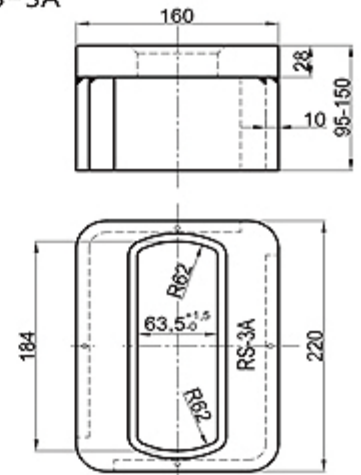
RS-1A



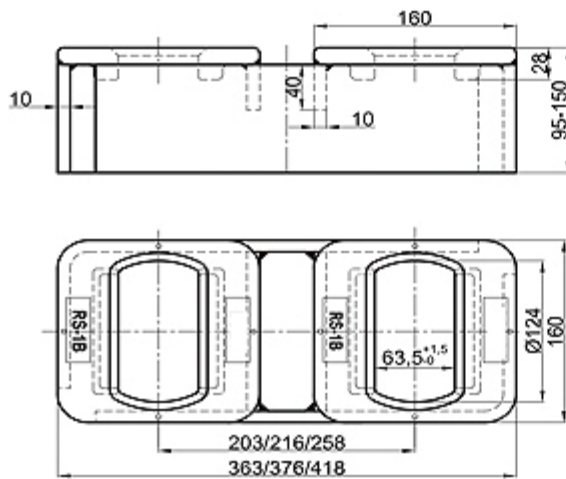
RS-2A



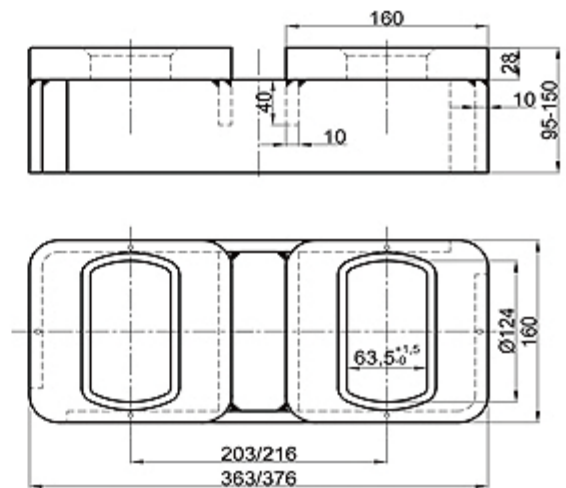
RS-3A



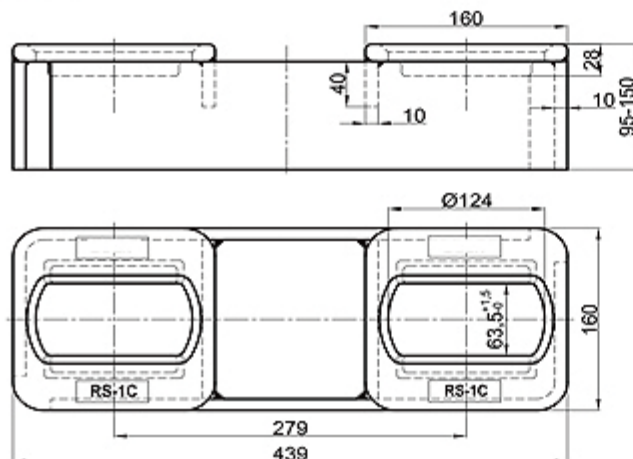
RS-1B



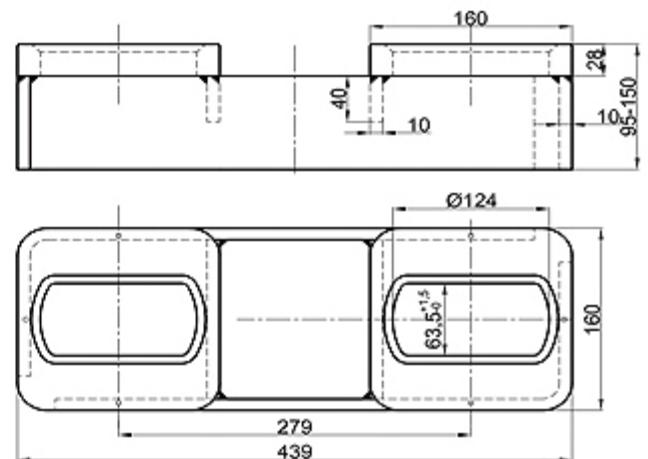
RS-2B



RS-1C

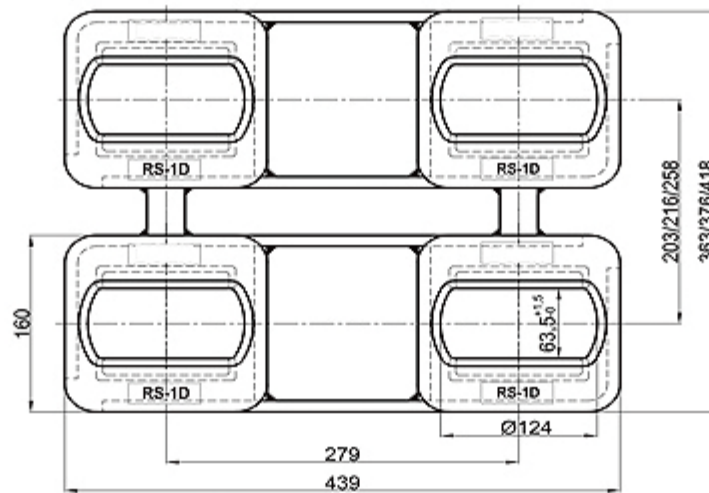
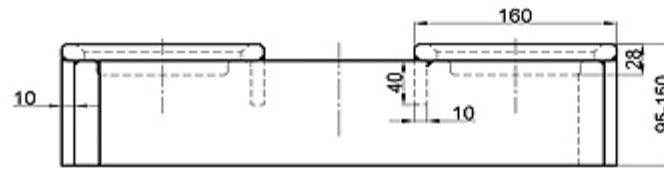


RS-2C

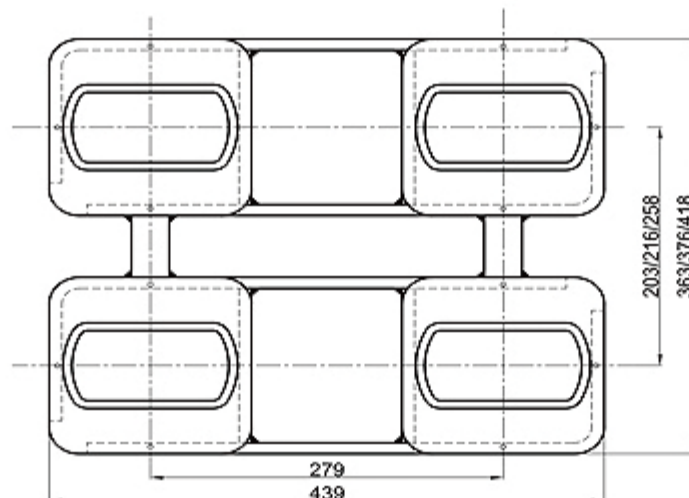
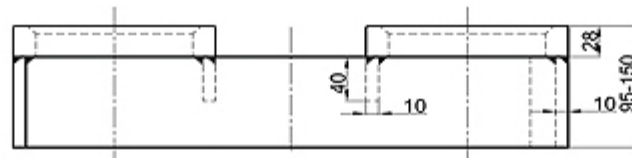


Twistlock Foundation

RS-1D

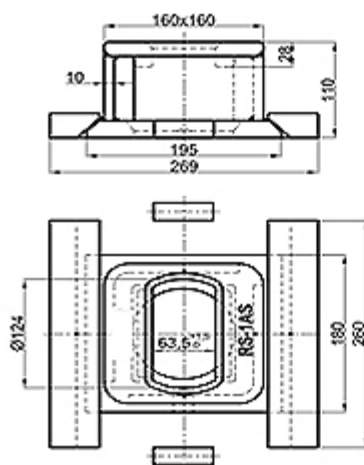


RS-2D

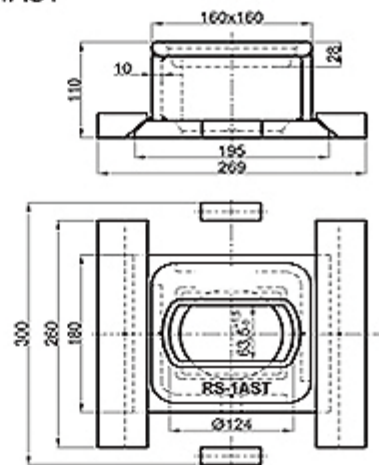


Sliding Foundation

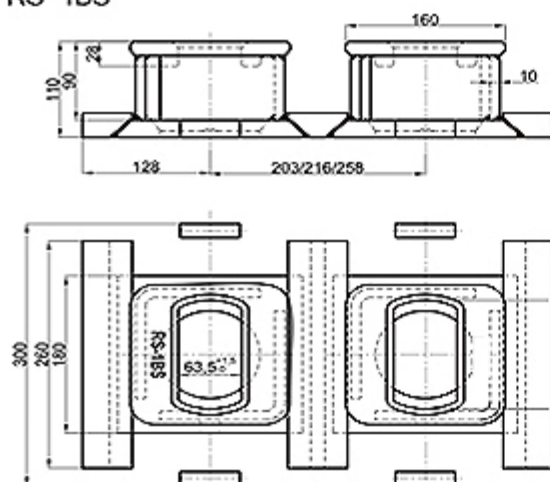
RS-1AS



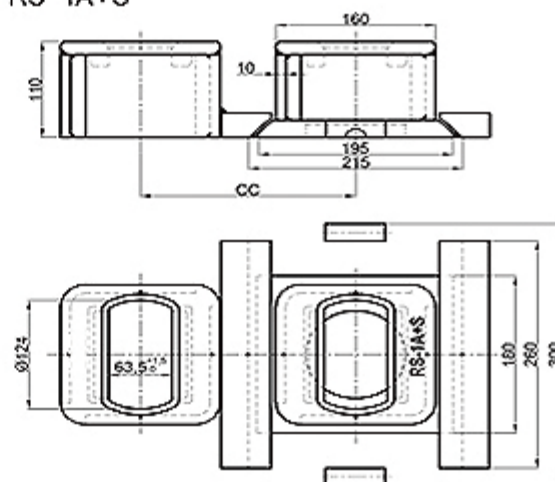
RS-1AST



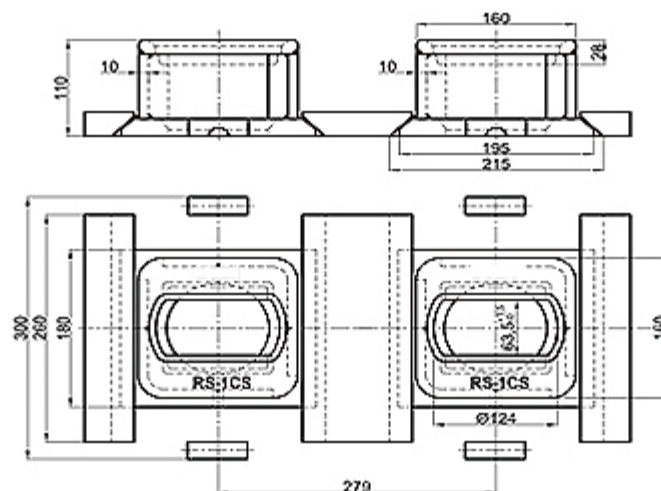
RS-1BS



RS-1A+S

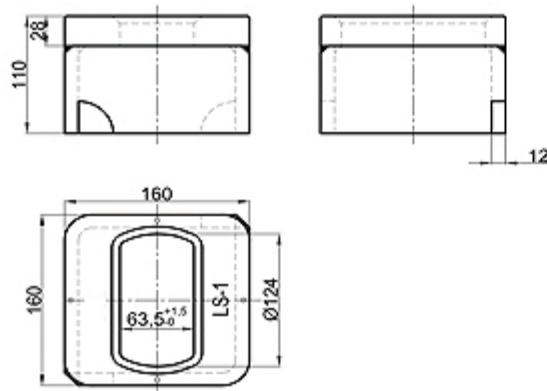


RS-1CS

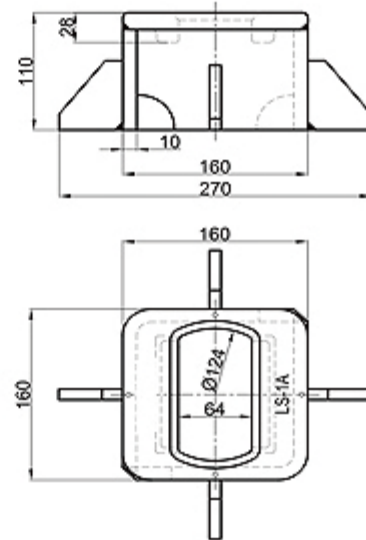


Lifting Foundation

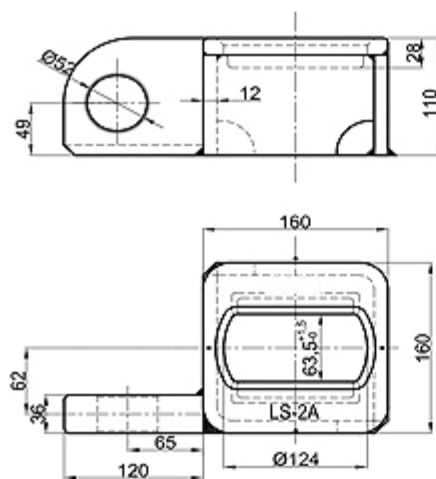
LS-1



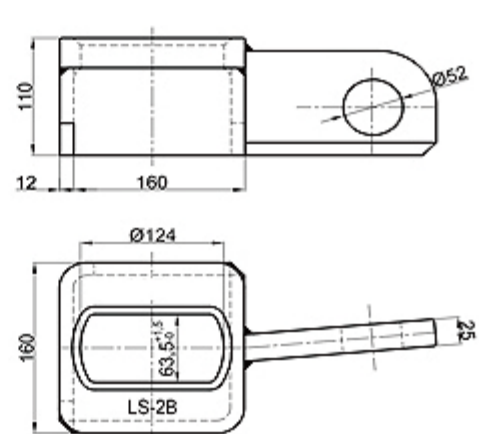
LS-1A



LS-2A

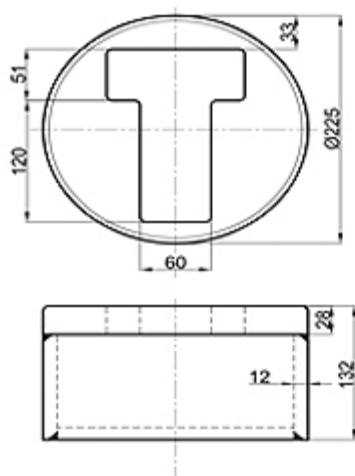


LS-2A L/R

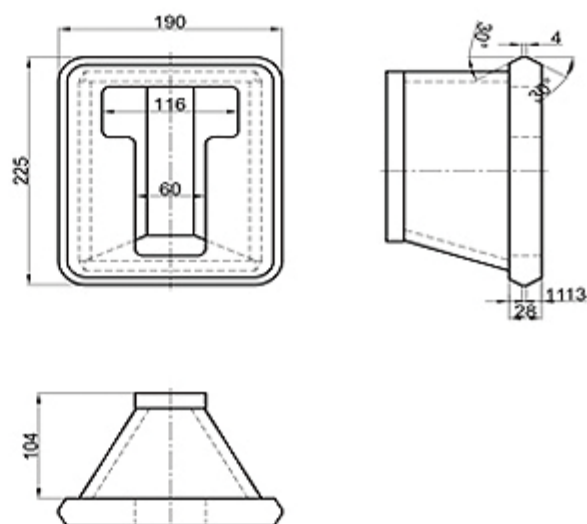


Support Foundation

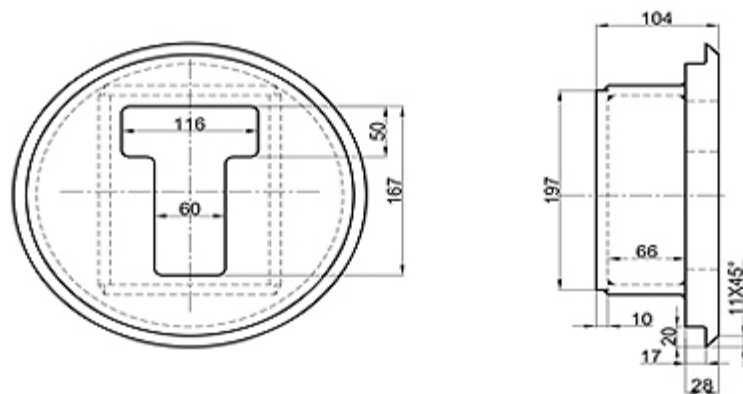
SF-1



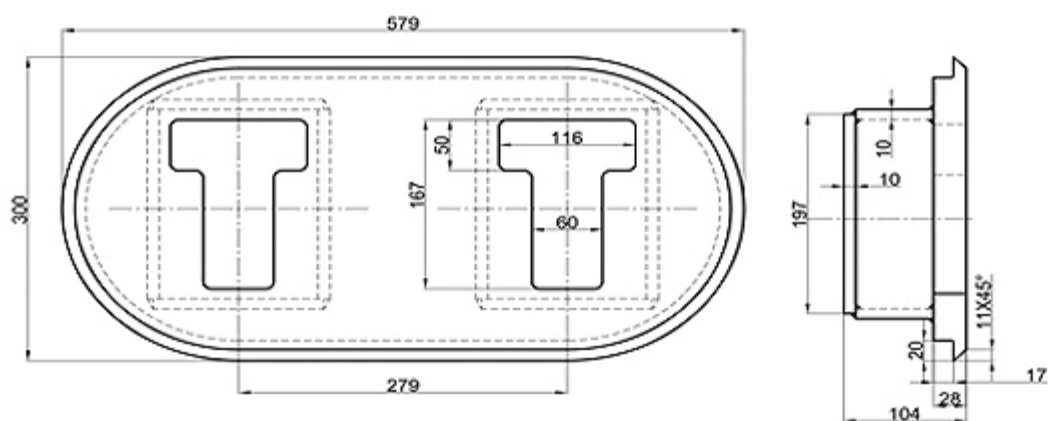
SF-1A



CS-S-1

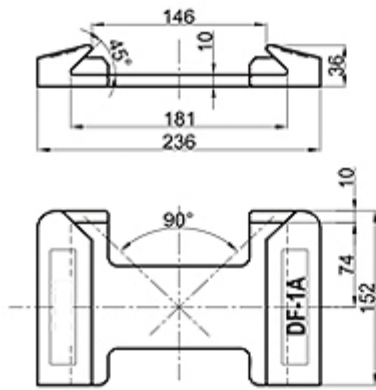


CS-S-2

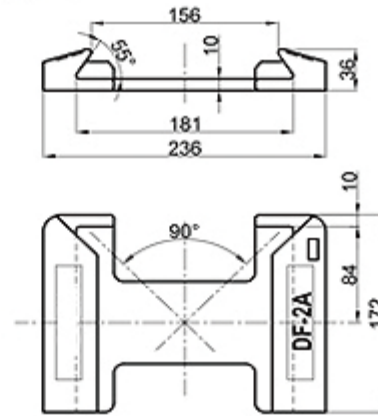


Dovetail Foundation

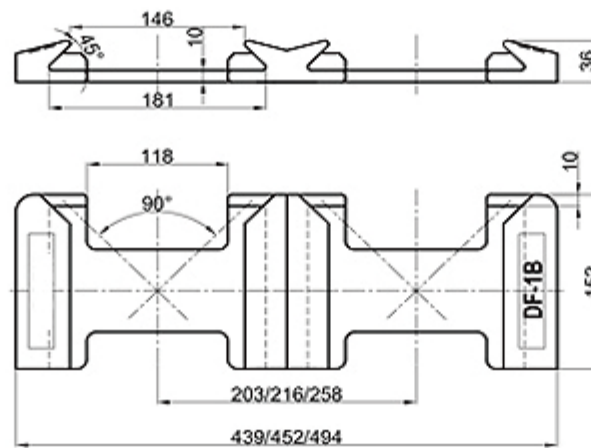
DF-1A (45°)



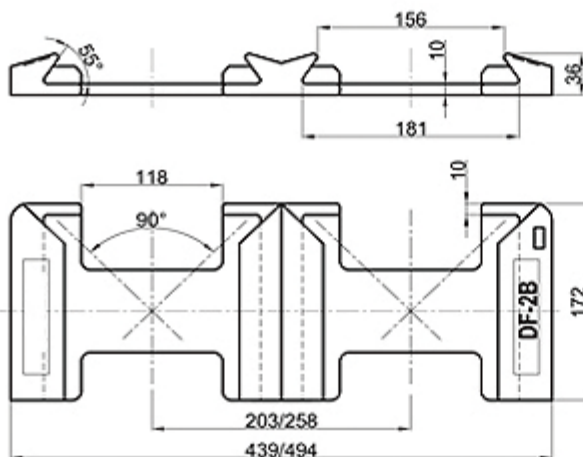
DF-2A (55°)



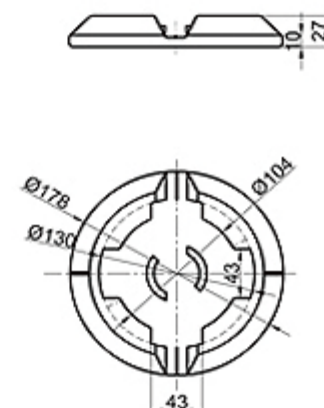
DF-1B (45°)



DF-2B (55°)

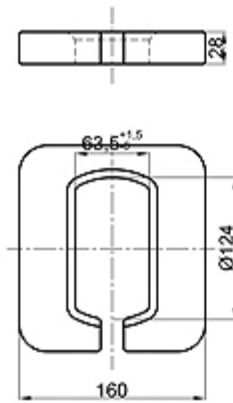


DF-3

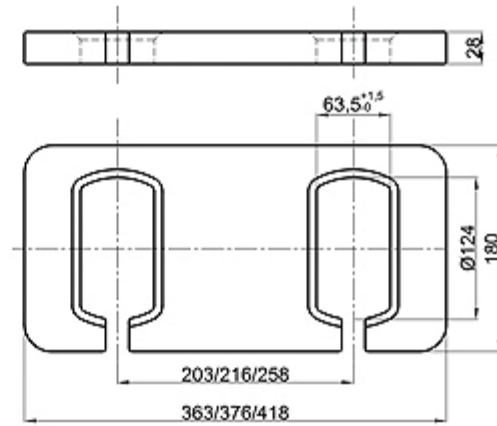


Bottom Plate

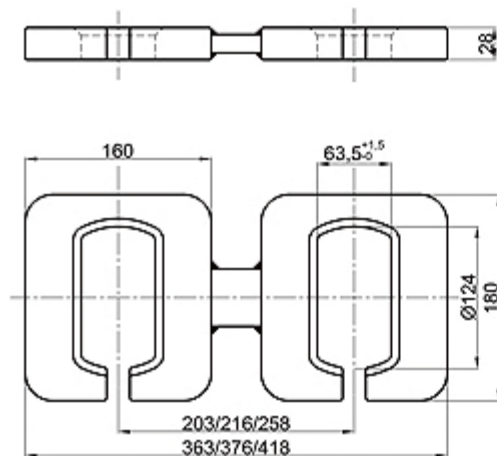
DP-1



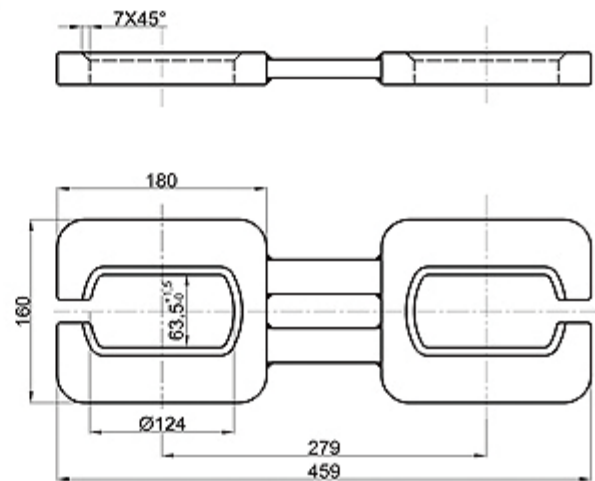
DP-2



DP-3

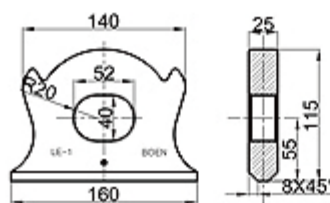


DP-4

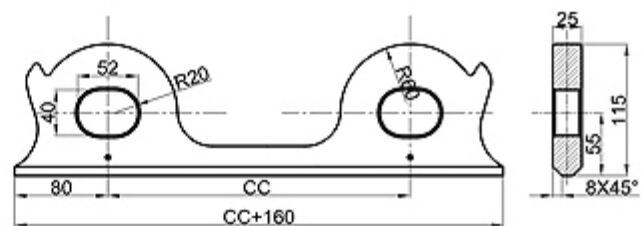


Lashing Eye Plate

LE-1

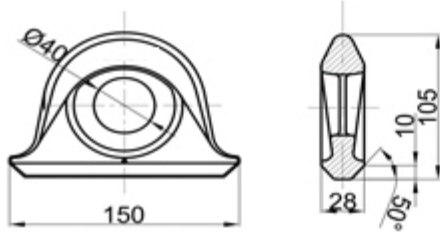


LE-2

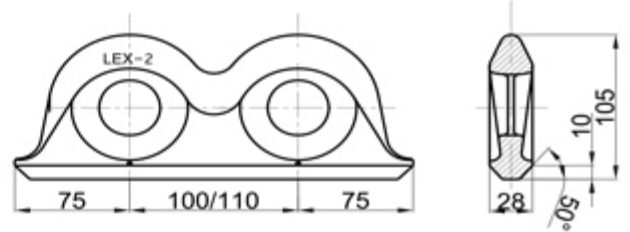


Lashing Eye Plate

LEX-1

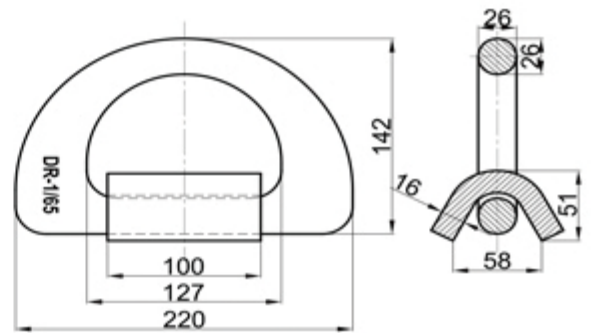
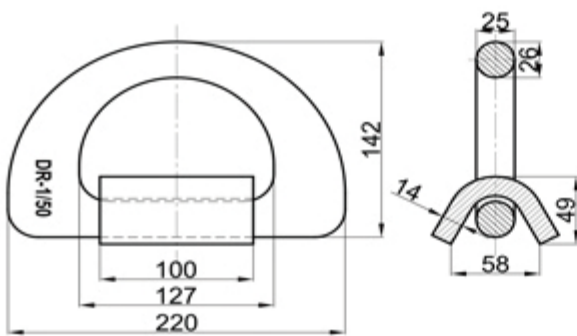


LEX-2

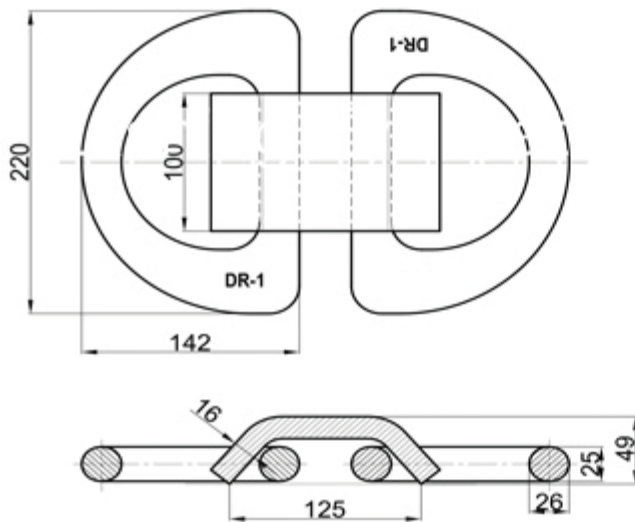


D-Ring

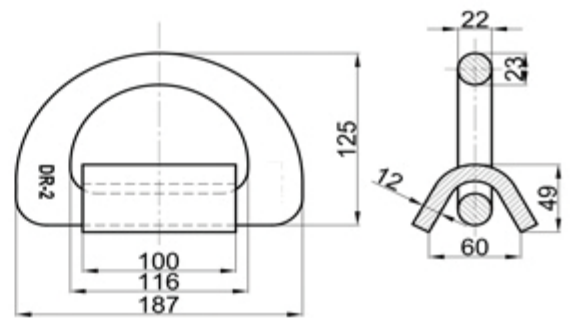
DR-1



DR-1A



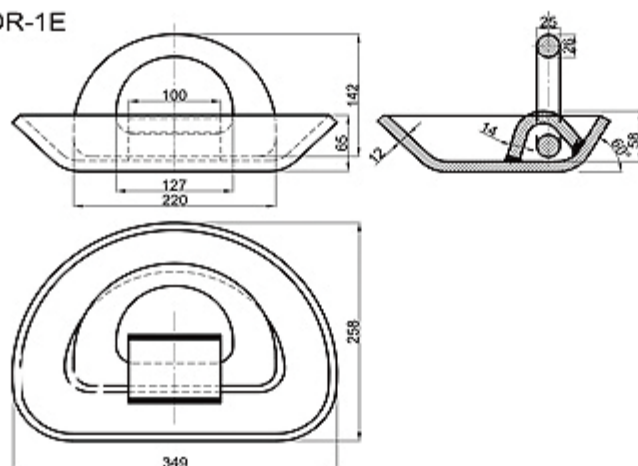
DR-2



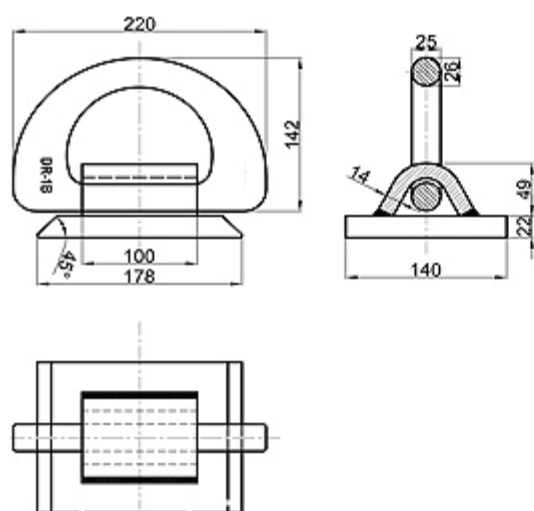
Fixed Fitting

D-Rings

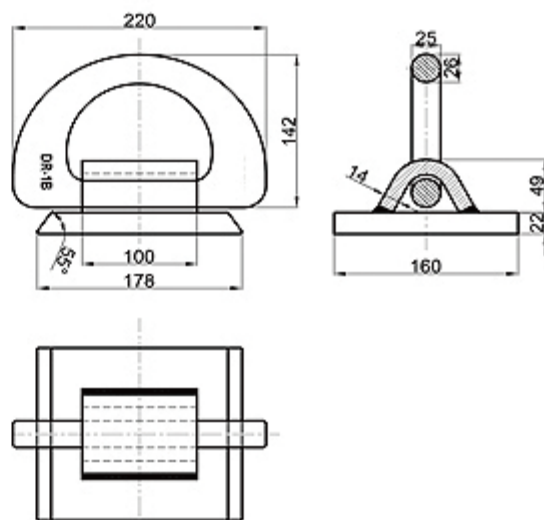
DR-1E



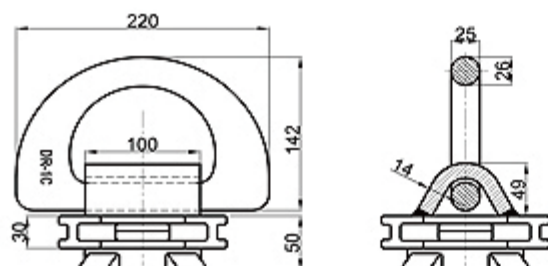
DR-1B (45°)



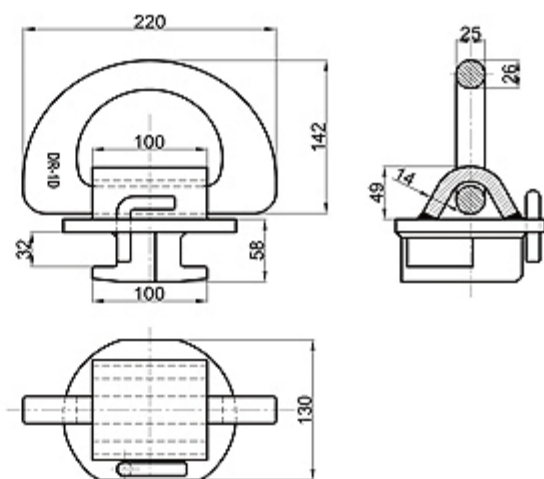
DR-1B (55°)



DR-1C

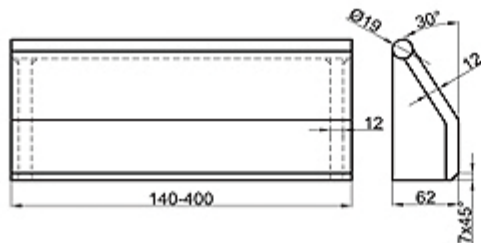


DR-1D

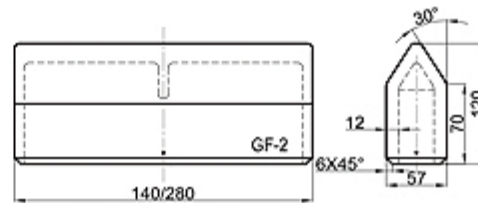


Guide Fitting

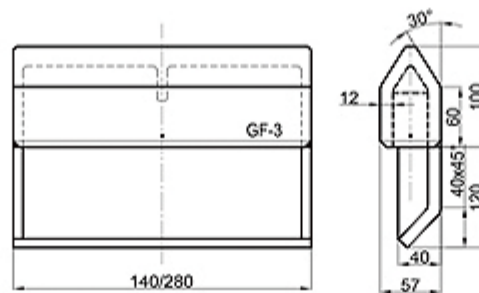
GF-1



GF-2



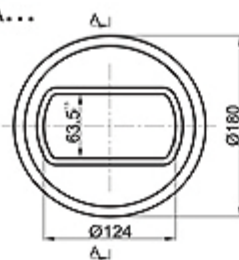
GF-3



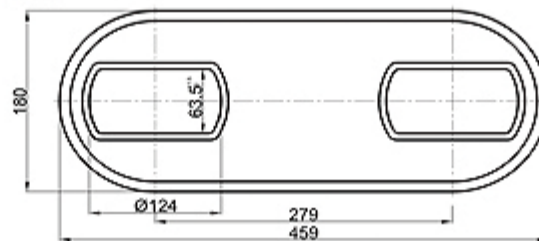
We can accept any made to order items based on drawings presented.

Foundation Socket

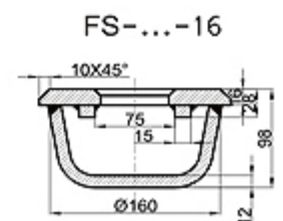
FS-1A...



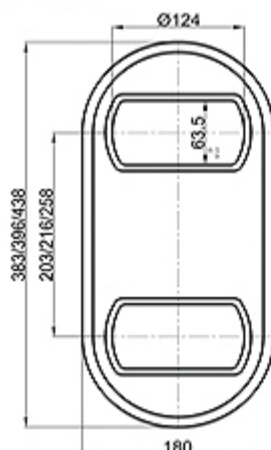
FS-1C...



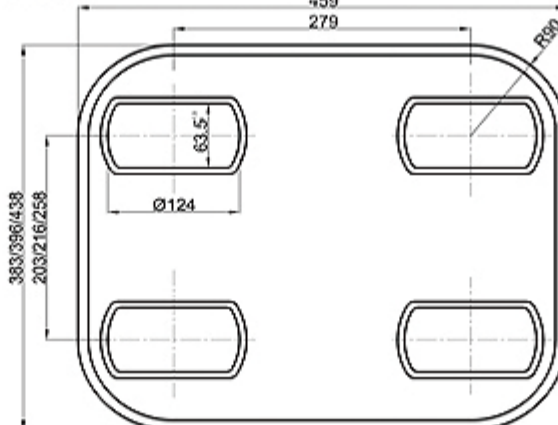
A-A



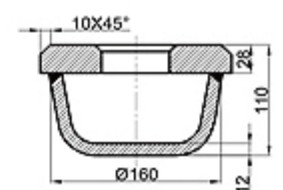
FS-1B...



FS-1D...



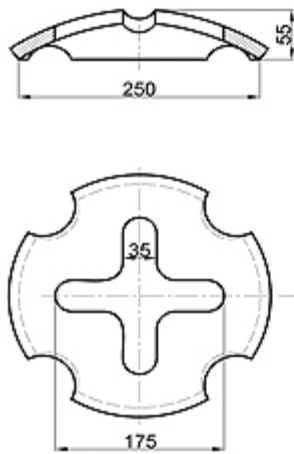
FS-...-28



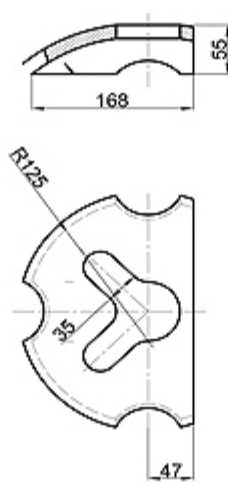
RORO-equipment

Lashing Pot

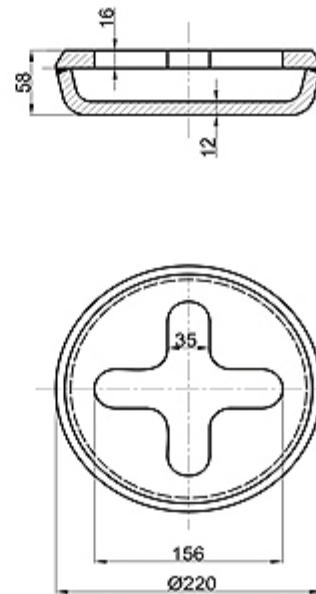
LP-1



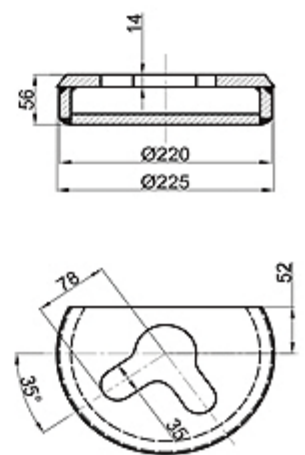
LP-1A



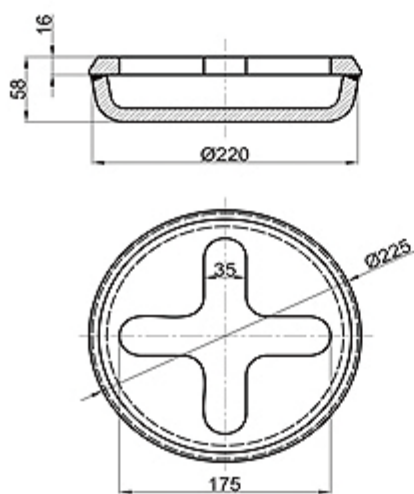
LP-3



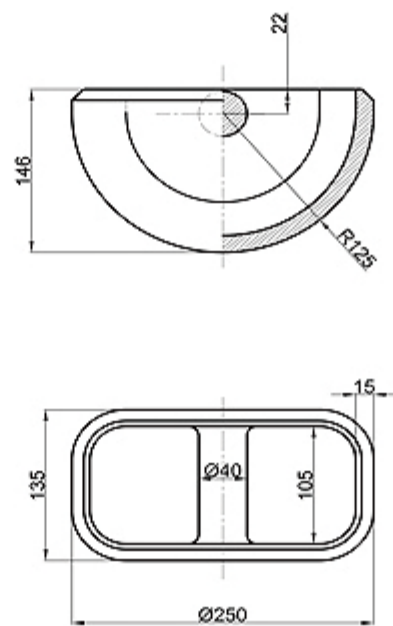
LP-2A



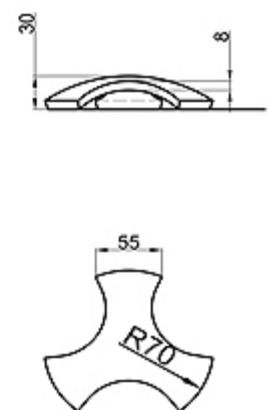
LP-3A



LP-4

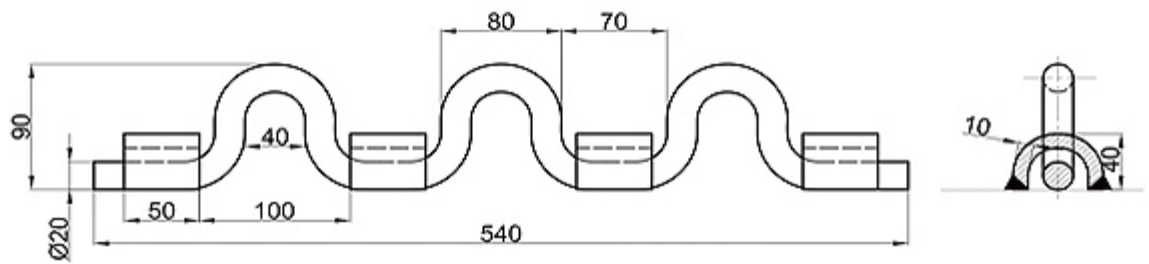


LP-5



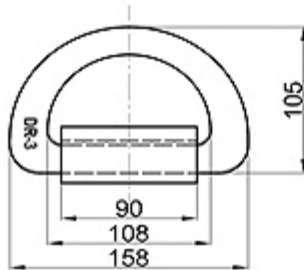
Crinkle Bar

DR-6

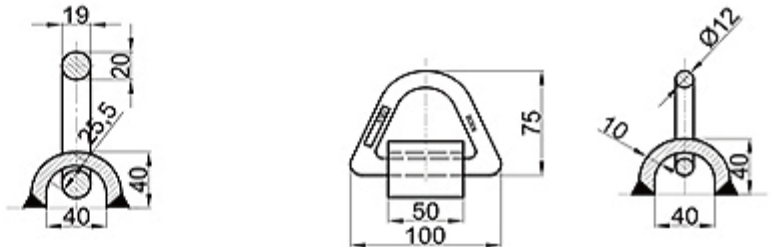


D-Rings

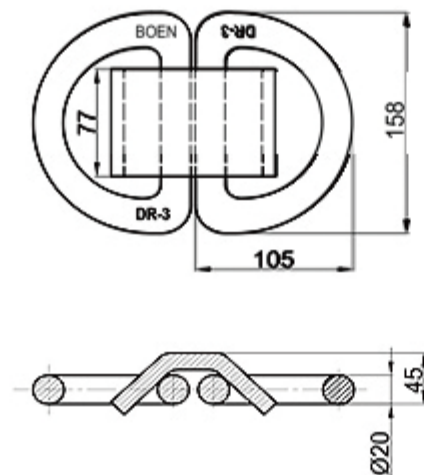
DR-3



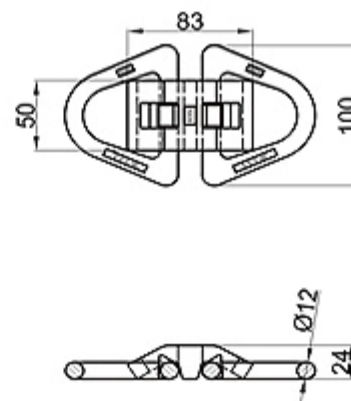
DR-4



DR-3A

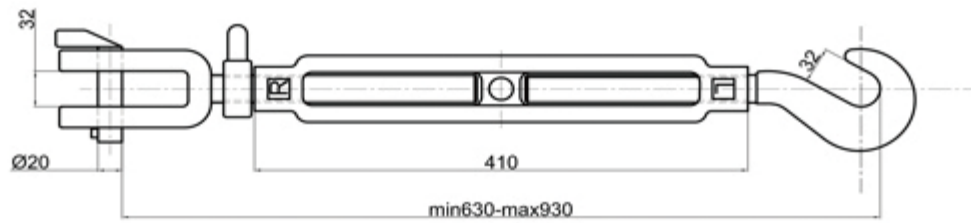


DR-5

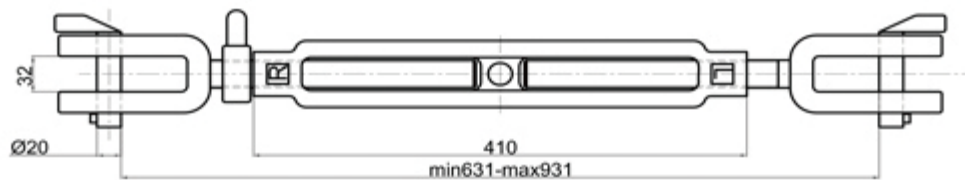


Chain Turnbuckle

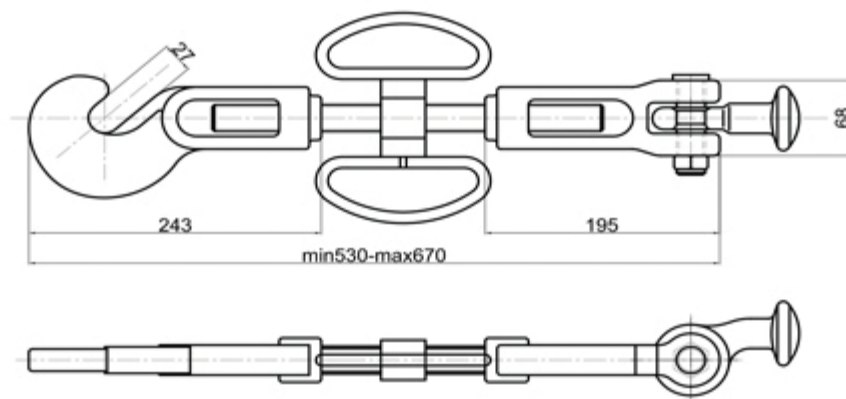
TB-1A-20



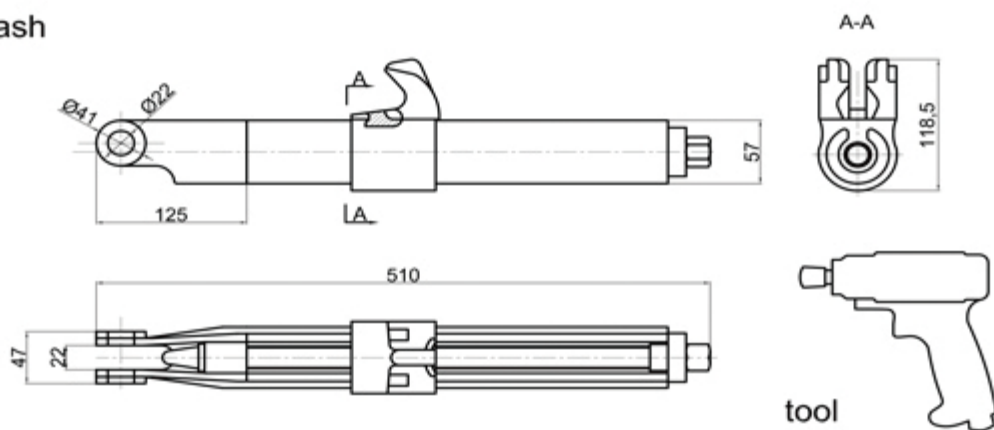
TB-1C-20



TB-1E-20

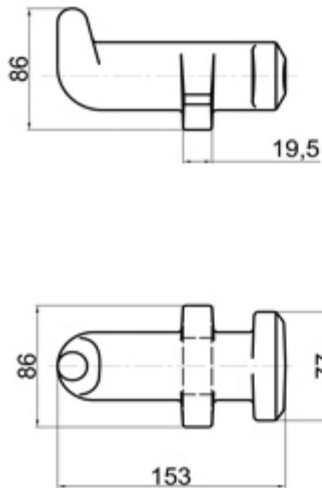


Speed lash

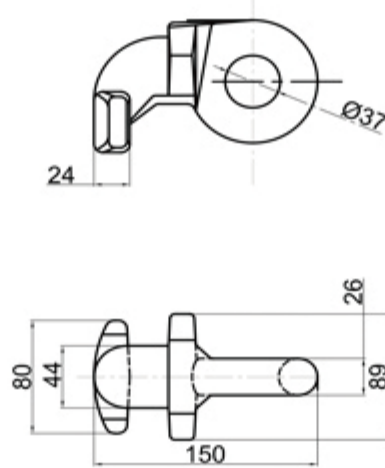


Securing Pads

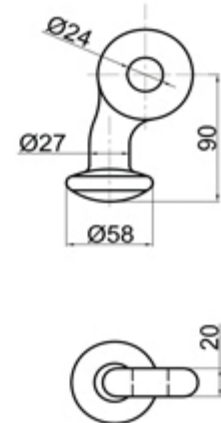
SP-A



SP-B

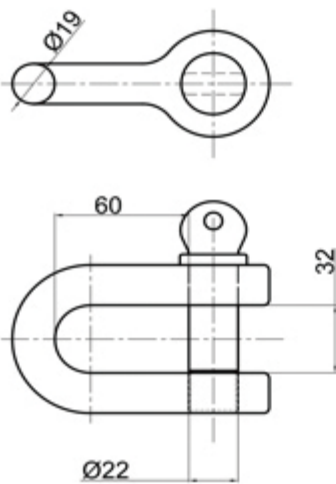


SP-C

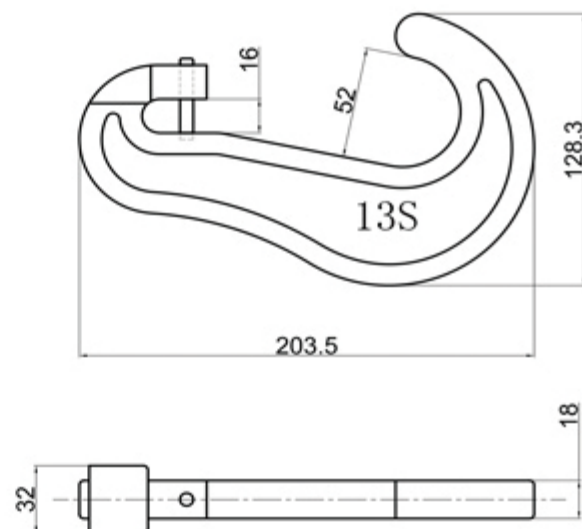


Shackle/Hook

SH-1

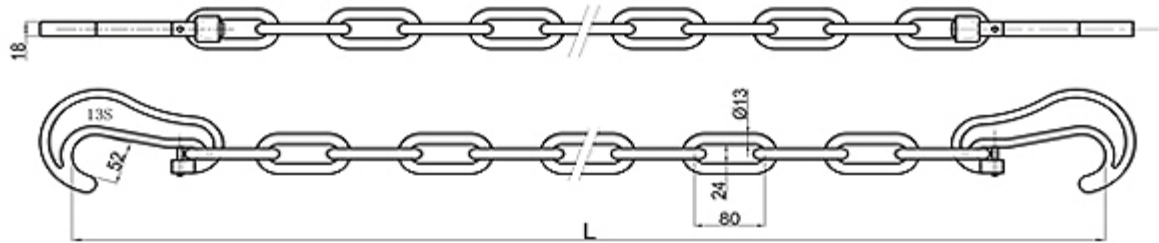


S-13

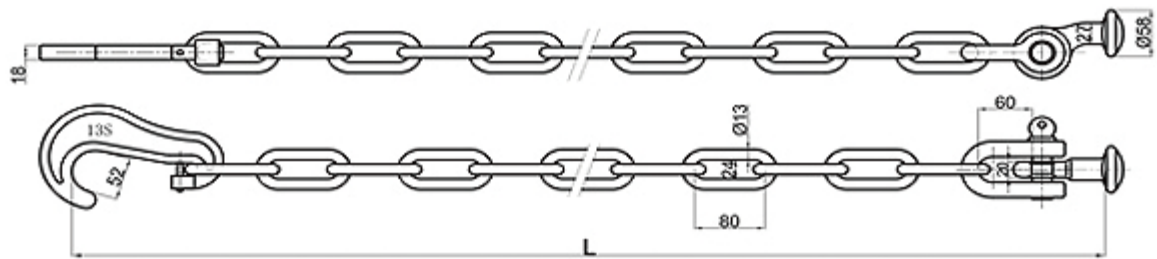


Link Chain

LC-1

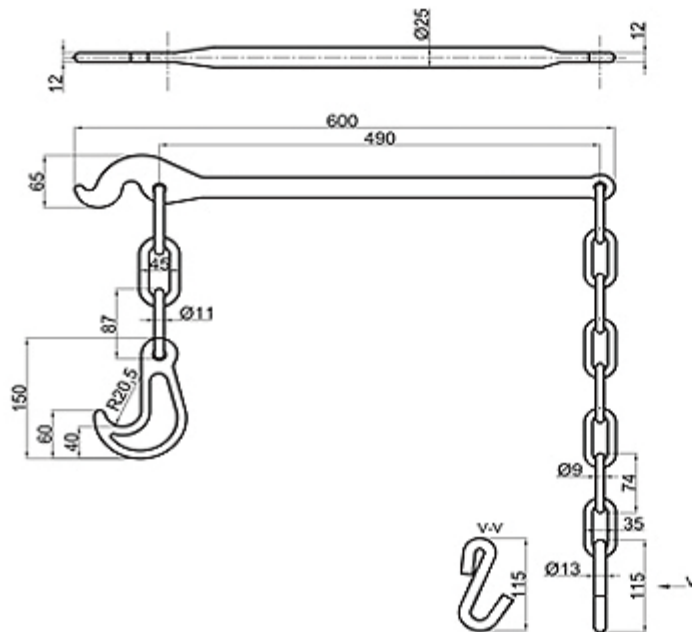


LC-2

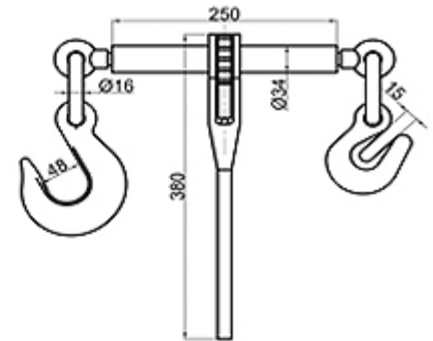


Tension Lever

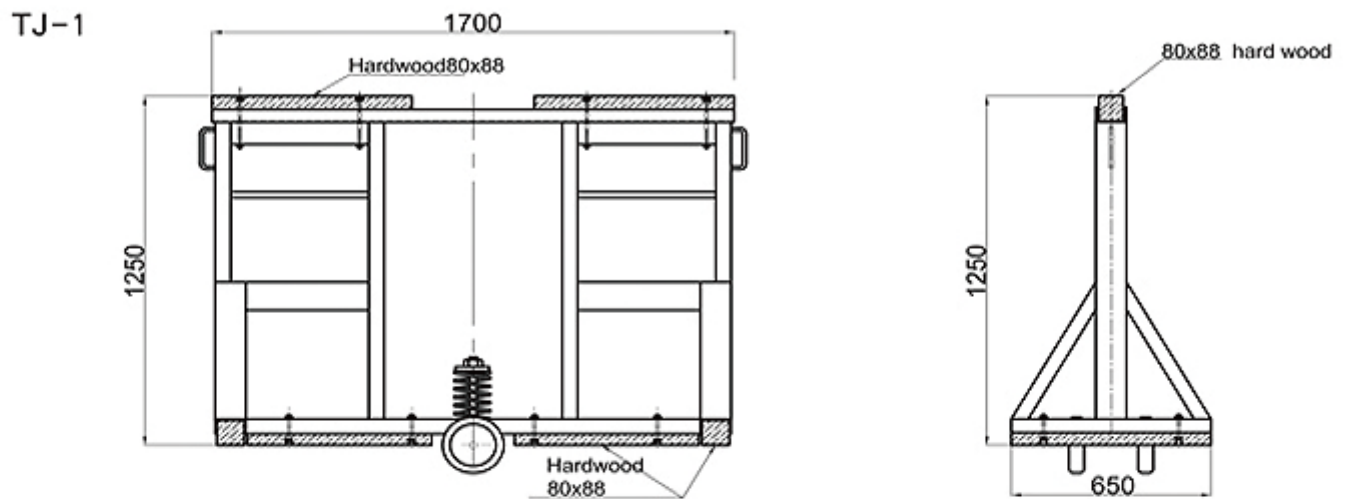
TL-1



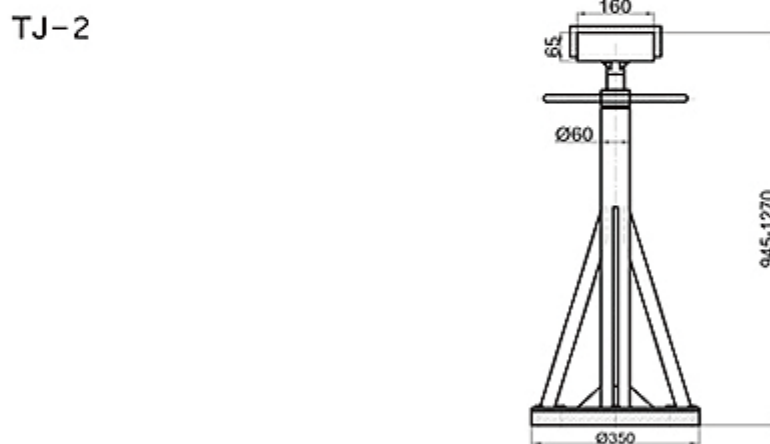
TL-2



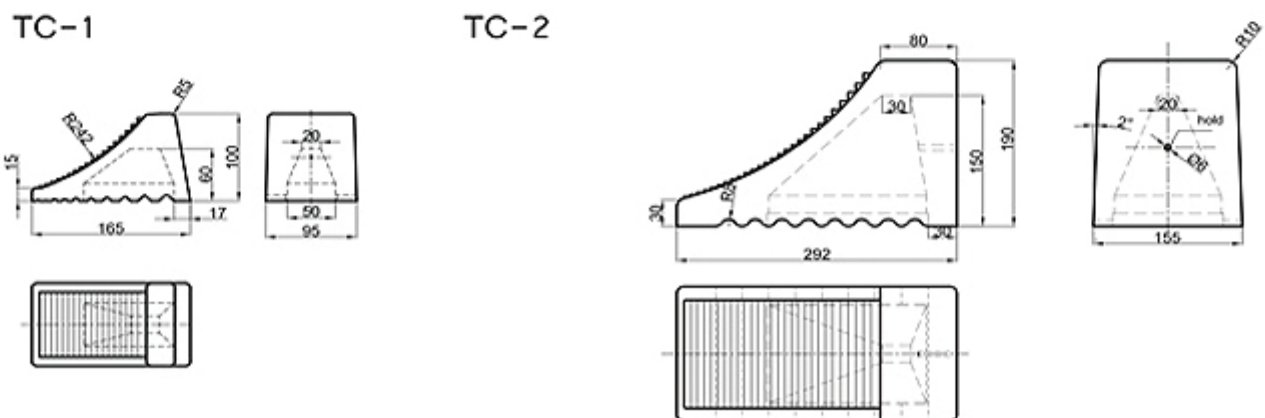
Trailer Trestle



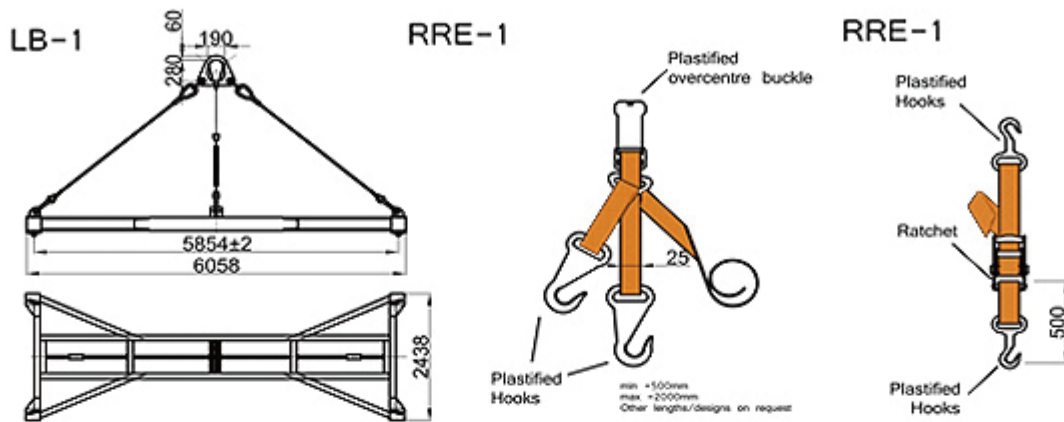
Trailer Support



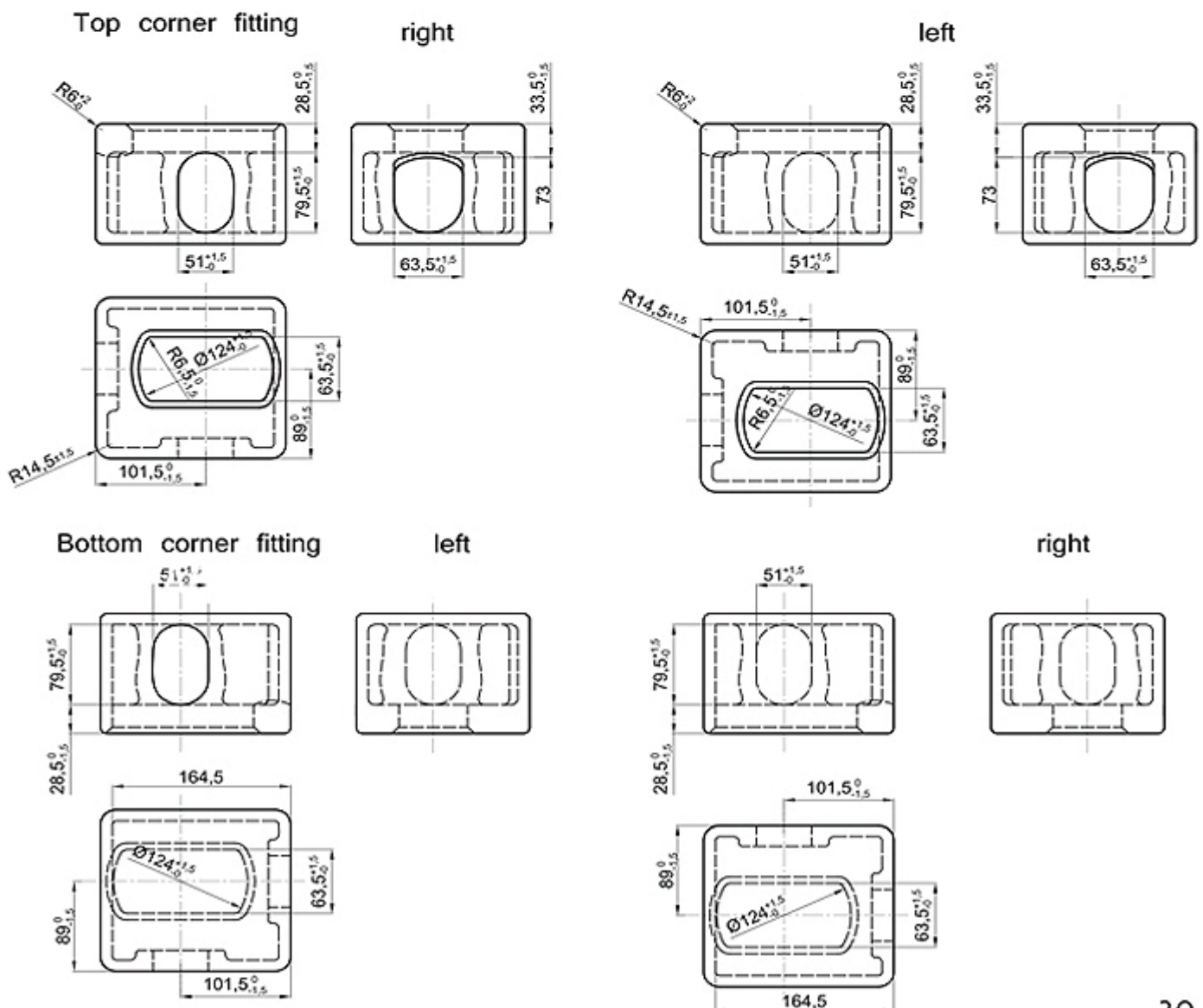
Wheel Chock



Container Spreader Weblashings Carlashings



Container Corner Casting



Thinkwell

Qingdao Thinkwell Hardware & Machinery Co., Ltd.

Add. NO.88, Chunyang Road, Chengyang
District, Qingdao, Shandong, China

Tel. 86-532-66968781
Fax. 86-532-66968780

Web. www.chinathinkwell.com
Email. info@chinathinkwell.com
